

# KALA terrace support system H-MAX MultiLevel

## Function:

The H-MAX MultiLevel is our height-adjustable support system with an additional movable compensating head. It makes laying coverings of all kinds – whether wood, stone or ceramics – easy. The compensation head can also be moved by up to 5° to compensate for steep slopes and unevenness.

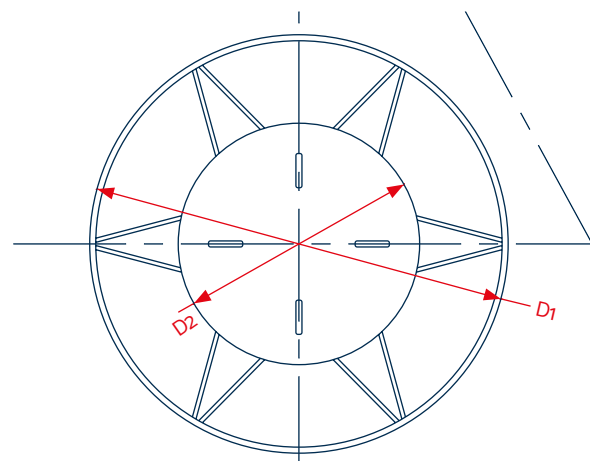
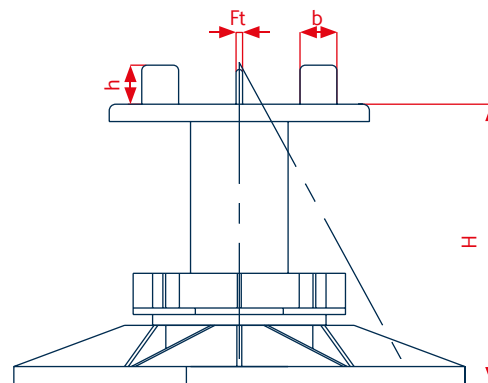
For direct installation on seals. Additional protective mats must be fitted in areas frequented by the public, such as entrances to public buildings, cafeterias, etc.

## Versions:

- 3 mm wide joints
- Snap-off wings
- Integrated notch for trimming the base on the border
- Rubber support for sound insulation

## Package units:

Supplied in cartons, PU 25 units



Technical data				
	62 - 82 mm	77 - 112 mm	107 - 142 mm	137 - 227 mm
D1	200 mm	200 mm	200 mm	200 mm
D2	120 mm	120 mm	120 mm	120 mm
H	62 - 82 mm	77 - 112 mm	107 - 142 mm	137 - 227 mm
h	10 mm	10 mm	10 mm	10 mm
b	13 mm	13 mm	13 mm	13 mm
Ft	3 mm	3 mm	3 mm	3 mm

KALA - KUNSTSTOFFE | Karl-Heinz Lange GmbH+Co.KG reserves the right to make technical changes.