

That's how it's done.

KALA[®]

Catalogue 2024

flat roofs + terraces.





Because your time is valuable.

Dear readers,

Welcome! Work should also be fun. This means using the right products. The new KALA catalogue is a great resource for your projects. KALA's solutions and products enable fast, easy work – for rapid advances on the construction site.

What makes our flat roof drainage systems, fans, terrace support systems, grommets and many other products ideal? The fact that we are also experienced users and know the various on-site requirements. We care about continuously improving our products based on practical experience and implementing new ideas in ways that satisfy our users' requirements. Our aim is to be THE benchmark for what you consider useful – from the communication around consulting, ordering and delivery to the suitability and long-term durability of our products under the harshest conditions.

This is important to us for several reasons. We know that your time is very precious. That is why our products must be quick, simple and safe to install, sparing valuable time during assembly and removing the need for laborious modifications and re-works. A proper, durable function of the roof accessories matters. Our products are subjected to the hardest test imaginable: your experiences. And our roof and service teams are also extremely critical, providing us with suggestions and ideas for improvement, to which we quickly react with product adaptations and improvements.

Finally, sustainability is increasingly important to you and your customers. And here's the thing: a product that is made from single materials rather than hard-to-recycle combinations, produced in clever plastic formulations and production processes that preserve resources and protect the environment, and then optimally packaged, is very sustainable. Selecting a product that needs replacement after a few years is the wrong answer to today's problems.

So when we confidently say „That's how it's done“ when presenting our product range, we have good reasons for this. We believe in the quality of what we are offering. And we are happy to discuss any customisations your projects may require regarding the materials, the dimensions or even your own variants. Because we know how it's done. As do you.



Get in touch!

+49 7423 8687 600
info@kala.de

Or visit our website at www.kala.de.





Table of contents

Flat roof systems: That's how it's done.	6
Smart solutions for flat roofs	7
Flat roof drainage you can rely on. Even when it's pouring down.	8
Drains	9
Scupper, round	10
Scupper, rectangular	11
Emergency overflow, round	12
Emergency overflow, rectangular	13
Aeration and ventilation systems for flat roofs.	14
Flat roof fans for ventilation lines with weather cap	15
Flat roof fans for cold roofs with weather cap	16
Flat roof refurbishment fans with forced ventilation	17
Ventalu forced ventilation DR-S	18
Universal weather cap for flat roof fans	18
Accumulation ring for drains and scupper	18
Flat roof accessories: from seals to lightning protection	20
Novelty: Nexo Fix	28
Drains Nexo Fix	29
Scupper Nexo Fix, round	30
Scupper Nexo Fix, rectangular	31
Emergency overflow Nexo Fix, round	33
Emergency overflow Nexo Fix, rectangular	34
Flat roof fans Nexo Fix for ventilation lines with weather cap	36
Flat roof fans Nexo Fix for cold roofs with weather cap	37
Flat roof refurbishment fans Nexo Fix with forced ventilation	38
One-piece inspection fitting Nexo Fix for flat roof systems	39
KALA systems for terraces: That's how it's done.	40
Professional terrace laying – durable and safe, without damaging sealants or pressing into the substrate	41
KALA terrace support systems	42
Underlayable terrace support system	43
Height-adjustable terrace support system H1	44
Height-adjustable terrace support system H2	45
KALA terrace support system H-MAX	46
KALA terrace support system H-MAX MultiLevel	47
Accessories for KALA terrace support systems	48
Cross/tile spacers	50
Cross spacers – height: 18 mm	51
Tile spacers for ceramic tiles and other slabs with support – height: 11 mm	52
Roof systems: That's how it's done.	54
The original red flexible tube	56
Ventilators for bitumen shingle roofs	57
Bird deterrent "bird spikes", transparent	58
Customer service: That's how it's done.	61
Data sheets	64



Flat roof systems: That's how it's done.



Smart solutions for flat roofs

KALA roof systems: That's how it's done.

Smart products and matching accessories for flat roofs:
Learn more about our systems for drainage, ventilation,
detailing and lightning protection.

Reliable flat roof drainage

8

Drains, round and rectangular emergency overflows and scuppers as well as
matching vapor barrier sheets and drain grates

Aeration and ventilation systems for flat roofs

14

Cold roof fans, Flat roof fans, Forced ventilation for aerating and ventilating
interiors and roof structures

Flat roof accessories

20

Inspection fittings, Universal grommets, Gravel baskets, lightning protection
wire holders and many more products

Get in touch!

+49 7423 8687 600
info@kala.de

Or visit our website at www.kala.de.



Flat roof drainage you can rely on.
Even when it's pouring down.



Drains



Drains ⁴				
Item No.	Material	Technical information		PU
100741	BIT	With bitumen sleeve, Pipe length 320 mm ^{1,3}	D 50 mm (DN 50)	1
100802			D 75 mm (DN 70)	
100833			D 90 mm	
100857			D 95 mm	
100864			D 110 mm (DN 100)	
100925			D 125 mm (DN 125)	
100987			D 160 mm (DN 150)	



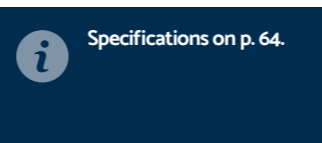
Drains ⁴				
Item No.	Material	Technical information		PU
102998	PVC similar to RAL 7035, Light grey	Basket D 300 mm Pipe length 320 mm ^{1,3}	D 50 mm (DN 50)	1
103087			D 75 mm (DN 70)	
103124		Basket D 380 mm Pipe length 320 mm ^{1,3}	D 90 mm	
103162			D 95 mm	
103209			D 110 mm (DN 100)	
103247			D 125 mm (DN 125)	
103322			D 160 mm (DN 150)	



Drains ⁴				
Item No.	Material	Technical information		PU
100901	FPO/PP ² similar to RAL 7044, Silk grey	Basket D 300 mm Pipe length 320 mm ^{1,3}	D 50 mm (DN 50)	1
101205			D 75 mm (DN 70)	
101304		Basket D 380 mm Pipe length 320 mm ^{1,3}	D 90 mm	
101403			D 95 mm	
101502			D 110 mm (DN 100)	
101601			D 125 mm (DN 125)	
101809			D 160 mm (DN 150)	

Reliable drainage for all structures – from balconies to industrial properties

Permanent and emergency drainage solutions to meet all requirements: KALA offers smart, quick and easy-to-install products for all conventional roof membranes.



Matching accessories

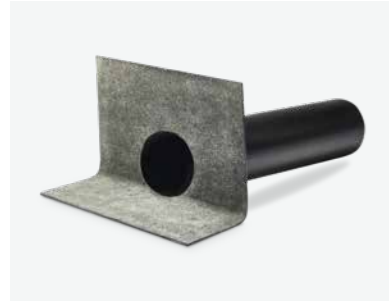
You can find our suitable retaining ring on page 18.

You can find more flat roof accessories from seals to lightning protection starting on page 20.

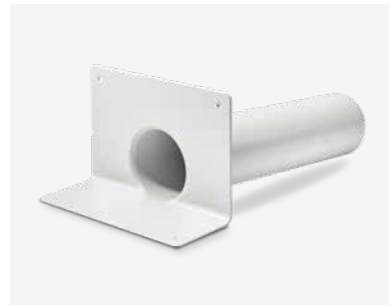
¹Special lengths available on request / ²also available in PE (roofing membranes based on PE) / ³other diameter sizes available upon request /

⁴**Attention:** The processing instructions of the roofing membrane manufacturer must be adhered to; Materials and used material compounds may be subject to change.

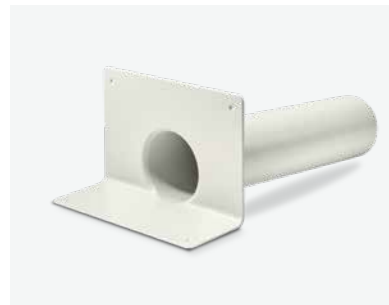
Scupper, round



Scupper, round ³				
Item No.	Material	Technical information	PU	
101113	BIT	With bitumen sleeve, Pipe length 480 mm ¹	D 50 mm (DN 50)	1
100994			D 63 mm	
101083			D 75 mm (DN 70)	
101120			D 90 mm	
101144			D 110 mm (DN 100)	
101168			D 125 mm (DN 125)	



Scupper, round ³				
Item No.	Material	Technical information	PU	
103346	PVC similar to RAL 7035, Light grey	Pipe length 480 mm ¹	D 50 mm (DN 50)	1
103360			D 63 mm	
103407			D 75 mm (DN 70)	
103445			D 90 mm	
103483			D 110 mm (DN 100)	
103520			D 125 mm (DN 125)	



Scupper, round ³				
Item No.	Material	Technical information	PU	
101861	FPO/PP ² similar to RAL 7044, Silk grey	Pipe length 480 mm ¹	D 50 mm (DN 50)	1
101908			D 63 mm	
102004			D 75 mm (DN 70)	
102103			D 90 mm	
102134			D 110 mm (DN 100)	
102165			D 125 mm (DN 125)	

Matching accessories

You can find our suitable retaining ring on page 18.

You can find more flat roof accessories from seals to lightning protection starting on page 20.

¹Special lengths available on request / ²also available in PE (roofing membranes based on PE) /

³Attention: The processing instructions of the roofing membrane manufacturer must be adhered to; Materials and used material compounds may be subject to change.

Scupper, rectangular



Scupper, rectangular ³			
Item No.	Material ⁵	Duct = W x H x L mm ^{1,4}	PU
106002	PVC similar to RAL 7047, Telegrey 4	120 x 60 x L 300	1
106057		120 x 60 x L 600	
106200		180 x 80 x L 300	
106255		180 x 80 x L 600	
106309		300 x 80 x L 300	
106354		300 x 80 x L 600	
106408		300 x 100 x L 300	
106453		300 x 100 x L 600	
106606		500 x 100 x L 300	
106651		500 x 100 x L 600	
106675		600 x 100 x L 300	
106682		600 x 100 x L 600	
106705		750 x 100 x L 300	
106750		750 x 100 x L 600	
106804		1000 x 100 x L 300	
106859		1000 x 100 x L 600	

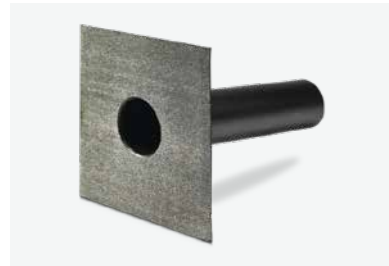


Scupper, rectangular ³			
Item No.	Material ⁵	Duct = W x H x L mm ^{1,4}	PU
107009	FPO/PP ² similar to RAL 7044, Silk grey	120 x 60 x L 300	1
107054		120 x 60 x L 600	
107207		180 x 80 x L 300	
107252		180 x 80 x L 600	
107306		300 x 80 x L 300	
107351		300 x 80 x L 600	
107405		300 x 100 x L 300	
107450		300 x 100 x L 600	
107603		500 x 100 x L 300	
107658		500 x 100 x L 600	
107672		600 x 100 x L 300	
107689		600 x 100 x L 600	
107702		750 x 100 x L 300	
107757		750 x 100 x L 600	
107801		1000 x 100 x L 300	
107856		1000 x 100 x L 600	



¹Special sizes available on request / ²also available in PE (PE-based roof membranes) and BIT (sealed with liquid plastic) / ³alternatively also available with a retaining ring in the desired height / ⁴custom designs are non-returnable / ⁵Attention: The processing instructions of the roofing membrane manufacturer must be adhered to; Materials and used material compounds may be subject to change.

Emergency overflow, round



Emergency overflow, round				
Item No.	Material ³	Technical information	PU	
101137	BIT	With bitumen sleeve, Pipe length 490 mm ¹	D 50 mm (DN 50)	1
101182			D 63 mm	
101151			D 75 mm (DN 70)	
101199			D 110 mm (DN 100)	
101175			D 125 mm (DN 125)	



Emergency overflow, round				
Item No.	Material ³	Technical information	PU	
103537	PVC	Pipe length 490 mm ¹	D 50 mm (DN 50)	1
103544	similar to RAL 7035,		D 63 mm	
103551	Light grey		D 75 mm (DN 70)	
103575			D 110 mm (DN 100)	
103582			D 125 mm (DN 125)	



Emergency overflow, round				
Item No.	Material ³	Technical information	PU	
102141	FPO/PP ²	Pipe length 490 mm ¹	D 50 mm (DN 50)	1
102202	similar to RAL 7044,		D 63 mm	
102158	Silk grey		D 75 mm (DN 70)	
102127			D 110 mm (DN 100)	
102226			D 125 mm (DN 125)	

Emergency overflow, rectangular



Emergency overflow, rectangular			
Item No.	Material ⁴	Duct = W x H x L mm ^{1,3}	PU
104008	PVC similar to RAL 7047, Telegrey 4	120 x 60 x L 300	1
104053		120 x 60 x L 600	
104206		180 x 80 x L 300	
104251		180 x 80 x L 600	
104305		300 x 80 x L 300	
104350		300 x 80 x L 600	
104404		300 x 100 x L 300	
104459		300 x 100 x L 600	
104602		500 x 100 x L 300	
104657		500 x 100 x L 600	
104671		600 x 100 x L 300	
104688		600 x 100 x L 600	
104701		750 x 100 x L 300	
104756		750 x 100 x L 600	
104800		1000 x 100 x L 300	
104855	1000 x 100 x L 600		



Emergency overflow, rectangular			
Item No.	Material ⁴	Duct = W x H x L mm ^{1,3}	PU
105005	FPO/PP ² similar to RAL 7044, Silk grey	120 x 60 x L 300	1
105050		120 x 60 x L 600	
105203		180 x 80 x L 300	
105258		180 x 80 x L 600	
105302		300 x 80 x L 300	
105357		300 x 80 x L 600	
105401		300 x 100 x L 300	
105456		300 x 100 x L 600	
105609		500 x 100 x L 300	
105654		500 x 100 x L 600	
105678		600 x 100 x L 300	
105685		600 x 100 x L 600	
105746		750 x 100 x L 300	
105753		750 x 100 x L 600	
105807		1000 x 100 x L 300	
105852	1000 x 100 x L 600		



¹Special lengths available on request / ²also available in PE (roofing membranes based on PE) /

³Attention: The processing instructions of the roofing membrane manufacturer must be adhered to; Materials and used material compounds may be subject to change.

¹Special sizes available on request / ²also available in PE (PE-based roof membranes) and BIT (sealed with liquid plastic) / ³custom designs are non-returnable /

⁴Attention: The processing instructions of the roofing membrane manufacturer must be adhered to; Materials and used material compounds may be subject to change.

Aeration and ventilation systems for flat roofs



Flat roof fans for ventilation lines with weather cap




Flat roof fans for ventilation lines with weather cap				
Item No.	Material ³	Technical information	Height	PU
900013	PVC	D 75 mm (DN 70)	654 mm	1
900020	similar to RAL 7035, Light grey	D 110 mm (DN 100)	Pipe length above / below tray	
900037		D 125 mm (DN 125)		
900044		D 160 mm (DN 150)		



Flat roof fans for ventilation lines with weather cap				
Item No.	Material ³	Technical information	Height	PU
900105	FPO/PP ²	D 75 mm (DN 70)	654 mm	1
900112	similar to RAL 7044, Silk grey	D 110 mm (DN 100)	Pipe length above / below tray	
900129		D 125 mm (DN 125)		
900136		D 160 mm (DN 150)		

Flat roof fans for new builds and refurbishments

Reliable and durable accessories for your house provided by our systems for ventilating interiors and roof structures.

 Specifications on p. 64.

¹Special lengths available on request / ²also available in PE (roofing membranes based on PE) /

³**Attention:** The processing instructions of the roofing membrane manufacturer must be adhered to; Materials and used material compounds may be subject to change.

Flat roof fans for cold roofs with weather cap



Flat roof fans for cold roofs with weather cap				
Item No.	Material ³	Technical information	Height	PU
901003	BIT	D 75 mm (DN 70)	354 mm ¹	1
901010		D 110 mm (DN 100)		
901027		D 125 mm (DN 125)		
901034		D 160 mm (DN 150)		



Flat roof fans for cold roofs with weather cap				
Item No.	Material ³	Technical information	Height	PU
900709	PVC similar to RAL 7035, Light grey	D 75 mm (DN 70)	354 mm ¹	1
900716		D 110 mm (DN 100)		
900723		D 125 mm (DN 125)		
900730		D 160 mm (DN 150)		



Flat roof fans for cold roofs with weather cap				
Item No.	Material ³	Technical information	Height	PU
900808	FPO/PP ² similar to RAL 7044, Silk grey	D 75 mm (DN 70)	354 mm ¹	1
900815		D 110 mm (DN 100)		
900822		D 125 mm (DN 125)		
900839		D 160 mm (DN 150)		

Flat roof refurbishment fans with forced ventilation



Flat roof refurbishment fans with forced ventilation ³				
Item No.	Material	Technical information	Height	PU
111969	BIT	D 125 mm (DN 125)	518 mm ¹	1
111976		D 160 mm (DN 150)		



Flat roof refurbishment fans with forced ventilation ³				
Item No.	Material	Technical information	Height	PU
111921	PVC similar to RAL 7035, Light grey	D 125 mm (DN 125)	518 mm ¹	1
111938		D 160 mm (DN 150)		



Flat roof refurbishment fans with forced ventilation ³				
Item No.	Material	Technical information	Height	PU
111945	FPO/PP ² similar to RAL 7044, Silk grey	D 125 mm (DN 125)	518 mm ¹	1
111952		D 160 mm (DN 150)		

¹Special lengths available on request / ²also available in PE (roofing membranes based on PE) /

³**Attention:** The processing instructions of the roofing membrane manufacturer must be adhered to; Materials and used material compounds may be subject to change.

¹Special lengths available on request / ²also available in PE (roofing membranes based on PE) /

³**Attention:** The processing instructions of the roofing membrane manufacturer must be adhered to; Materials and used material compounds may be subject to change.

Ventalu forced ventilation DR-S



Ventalu forced ventilation DR-S			
Item No.	Accessory suitable for	Technical information	PU
112201	Refurbishment fans	D 125 mm (DN 125)	1
112218		D 160 mm (DN 150)	

Universal weather cap for flat roof fans



Universal weather cap for flat roof fans				
Item No.	Accessory suitable for	Colour	Diameter	PU
111358	Cold roof fans, Flat roof fans	Gray	D 75 mm (DN 70)	1
111693		Black	D 110 mm (DN 100) D 125 mm (DN 125)	
111389		Gray	D 160 mm (DN 150)	

Accumulation ring for drains and scupper



Accumulation ring for drains ^{1,2,3}			
Item No.	Accessory suitable for	Material	PU
109607	Accumulation ring for drains, Accumulation height: 50 mm, D 50 up to D 125	The material of the accumulation ring depends on the base material of the drain.	1



Accumulation ring for scupper ^{1,2,3}			
Item No.	Accessory suitable for	Material	PU
109614	Accumulation ring for scupper, Accumulation height: 50 mm, D 50 up to D 125	The material of the accumulation ring depends on the base material of the drain.	1

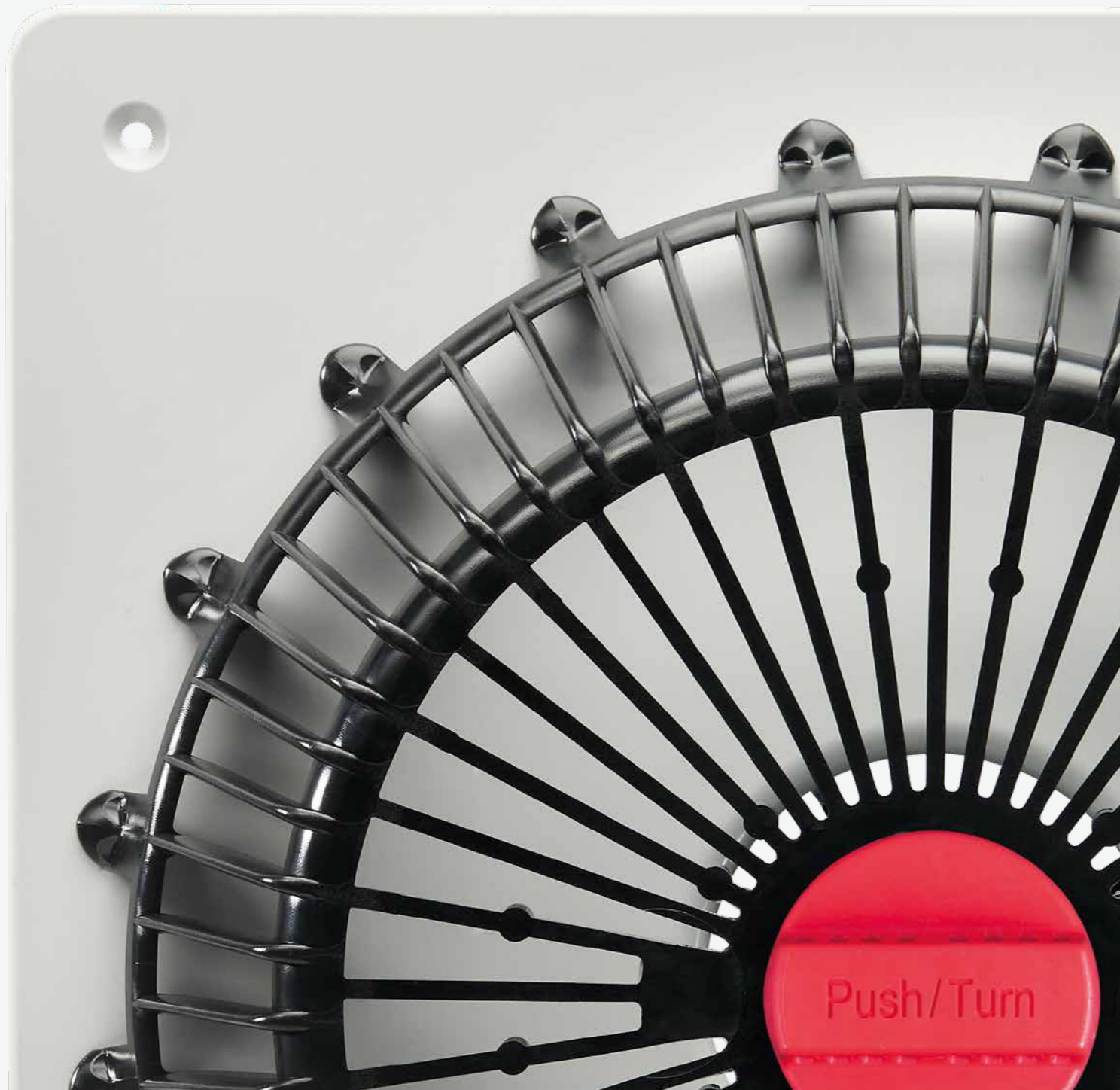
¹ Not available for BIT variant / ² Attention: Additional charge for Accumulation ring / ³ Custom designs are non-returnable

Flat roof + terrace –
That's how it's done.




Flat roof accessories from seals to lightning protection

Smart accessories for durable flat roofs



Practical accessories for all your flat roof needs, whether you require detailing and drainage, or safety and lightning protection. From the right vapour barrier for emergency spillovers and spouts to grommets and inner and outer corners for simple detailing in PP, PVC and bitumen: clever flat roof accessories!

 Specifications on p. 64.



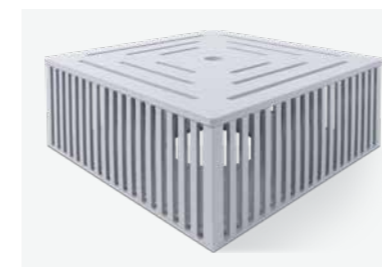
Gravel basket Vario Fix - infinitely adjustable			
Item No.	Accessory suitable for	Diameter	PU
109553	Drains D 50 mm (DN 50) - D 160 mm (DN 150)	Basket-D 260 mm Basket-H 95 mm	10
	109508	Scupper D 50 mm (DN 50) - D 125 mm (DN 125)	



Gravel basket Classic - with centering cross			
Item No.	Accessory suitable for	Diameter	PU
109515	Drains D 50 mm (DN 50) - D 160 mm (DN 150)	Basket-D 262 mm Basket-H 77,5 mm	10
	109546	Scupper D 50 mm (DN 50) - D 125 mm (DN 125)	



Gravel guard frame			
Item No.	Dimensions mm	Material	PU
120114	Length: 380 Width: 380 Height: 80	PVC	1



Inspection chamber			
Item No.	Dimensions mm	Material	PU
120213	Length: 380 Width: 380 Height: 160	PVC	1



Lip seal for pipe connections			
Item No.	suitable for	External dimensions / height	PU
103865	Drain pipe diameter D 50 mm	73 x 29 mm	1
103872	Drain pipe diameter D 75 mm	109 x 38 mm	
103889	Drain pipe diameter D 95 mm small	113 x 19 mm	
103919	Drain pipe diameter D 95 mm large	146 x 30 mm	
103926	Drain pipe diameter D 110 mm	126 x 35 mm	
103933	Drain pipe diameter D 125 mm	172 x 32 mm	
103940	Drain pipe diameter D 160 mm	207 x 33 mm	

Smart accessories for durable flat roofs



Universal grommets					
Item No.	Material ²	Height mm	Length mm	Inner-D in mm	PU
303906	BIT sanded ¹	300, with heat-shrink tube	80	D 10	10/60
304903				D 20	
305900				D 30	
306907				D 42	
307904				D 50	
309601		320, with heat-shrink tube	100	D 68	5
309700				D 82	
309809				D 100	
309908				D 115	
309526				D 150	



Universal grommets						
Item No.	Material ²	Height mm	Length mm	Inner-D in mm	PU	
303807	PVC Light grey	300, with heat-shrink tube	80	D 10	40	
304804				D 20		35
305801				D 30		30
306808				D 42		25
307805				D 50		20



Universal grommets						
Item No.	Material ²	Height mm	Length mm	Inner-D in mm	PU	
303302	FPO/PP Gray ¹	300, with heat-shrink tube	80	D 10	40	
304309				D 20		35
305306				D 30		30
306303				D 42		25
307300				D 50		20



Universal grommets						
Item No.	Material ²	Height mm	Length mm	Inner-D in mm	PU	
303203	FPO/PP Beige gray	300, with heat-shrink tube	80	D 10	40	
304200				D 20		35
305207				D 30		30
306204				D 42		25
307201				D 50		20



Universal grommets						
Item No.	Material ²	Height mm	Length mm	Inner-D in mm	PU	
303500	FPO/PP Anthracite gray	300, with heat-shrink tube	80	D 10	40	
304507				D 20		35
305504				D 30		30
306501				D 42		25
307508				D 50		20



Universal grommets						
Item No.	Material ²	Height mm	Length mm	Inner-D in mm	PU	
303104	FPO/PP White	300, with heat-shrink tube	80	D 10	40	
304101				D 20		35
305108				D 30		30
306105				D 42		25
307102				D 50		20

¹Optionally also deliverable in slate variant /

²Attention: The processing instructions of the roofing membrane manufacturer must be adhered to; Materials and used material compounds may be subject to change.

¹Also available in PE (roofing membranes based on PE) /

²Attention: The processing instructions of the roofing membrane manufacturer must be adhered to; Materials and used material compounds may be subject to change.

Smart accessories for durable flat roofs



One-piece inspection fitting for flat roof systems				
Item No.	Material ¹	Height	Diameter	PU
120305	BIT	605 mm	D 125 mm (DN 125)	1



One-piece inspection fitting for flat roof systems				
Item No.	Material ¹	Height	Diameter	PU
120817	PVC similar to RAL 7035, Light grey	605 mm	D 125 mm (DN 125)	1



One-piece inspection fitting for flat roof systems				
Item No.	Material ¹	Height	Diameter	PU
120824	FPO/PP similar to RAL 7044, Silk grey	605 mm	D 125 mm (DN 125)	1



Gooseneck/cable conduit (Supplied without flat roof fan)				
Item No.	Material	Diameter	PU	
111402	FPO/PP,	D 75 mm (DN 70)	10	
111563	Black	D 110 mm (DN 100)		
111570		D 125 mm (DN 125)		
111587		D 160 mm (DN 150)		



Vapour barrier sheet for Scupper, round and Emergency overflow, round				
Item No.	Material	for Diameter	PU	
108501	Basket PVC sheet	D 50 mm (DN 50)	1	
108556	300 x 300 mm	D 75 mm (DN 70)		
108600	similar to RAL 7047,	D 95 mm		
108655	Telegrey 4	D 110 mm (DN 100)		
108709		D 125 mm (DN 125)		



Vapour barrier sheet for Scupper and Emergency overflow, rectangular				
Item No.	Material	Duct = W x H x L mm	PU	
108006	Basket PVC sheet	for 120 x 60	1	
108051	similar to RAL 7047,	for 180 x 80		
108105	Telegrey 4	for 300 x 80		
108150		for 300 x 100		
108204		for 500 x 100		
108259		for 600 x 100		
108303		for 750 x 100		
108358		for 1000 x 100		



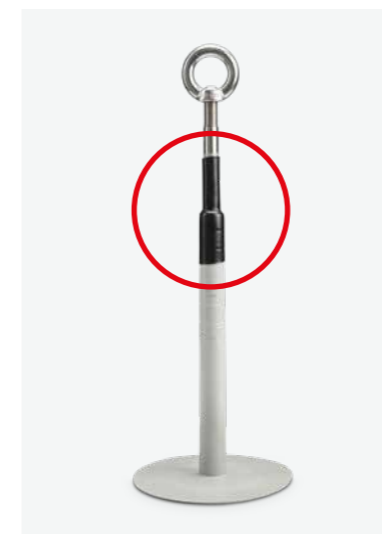
Internal corners for roof membranes			
Item No.	Material ³	Technical information	PU
300806	PVC Light grey	Prefab corners, weldable to roof membrane	25
300301	FPO/PP Gray ¹		
300202	FPO/PP Beige gray		
300509	FPO/PP Anthracite gray		
300103	FPO/PP White		



External corners for roof membranes			
Item No.	Material ³	Technical information	PU
301803	PVC Light grey	Prefab corners, weldable to roof membrane	25
301308	FPO/PP Gray ¹		
301209	FPO/PP Beige gray		
301605	FPO/PP Anthracite gray		
301100	FPO/PP White		



Heat-shrink tube ²				
Item No.	Material	Diameter ranges	Length mm	PU
111419	Polyolefine, weatherproof modified	22/6 mm (D 10)	80	10
111426		28/6 mm (D 20)		
111433		40/12 mm (D 30)		
111440		55/16 mm (D 42)		
111457		65/19 mm (D 50)		



¹ Attention: The processing instructions of the roofing membrane manufacturer must be adhered to; Materials and used material compounds may be subject to change.

² Also available in PE (roofing membranes based on PE) / ² optionally other sizes and lengths available /

³ Attention: The processing instructions of the roofing membrane manufacturer must be adhered to; Materials and used material compounds may be subject to change.

Smart accessories for durable flat roofs



W4 hose clamps (in place of heat-shrink tube)			
Item No.	Diameter ranges	Metal strip width	PU
111518	10/16 (D 10)	4 mm	10
111525	16/27 (D 20)		
111686	25/40 (D 30)		
111532	32/50 (D 42)		
111549	40/60 (D 50)		



Lightning protection wire holders			
Item No.	Material	For lightning protection wires	PU
109102	Polyamide (PA)	D 8 - 10 mm	50



Discus membrane piece for lightning protection wire holders			
Item No.	Material ²	Technical information	PU
109157	BIT	Accessory for holder, weldable with roof membrane	50
109126	PVC		
109133	FPO/PP ¹		

Accessory suitable for Lightning protection wire holders



¹Also available in PE (roofing membranes based on PE) /

²Attention: The processing instructions of the roofing membrane manufacturer must be adhered to; Materials and used material compounds may be subject to change.





Novelty Nexo Fix

- ✓ Saving time through work already done
- ✓ Minimizing vulnerabilities in sealing
- ✓ Professional and manufacturer compliant
- ✓ Highest quality standard
- ✓ Solidly welded - no clamping, no sticking

We are bringing the **upgrade** to the roof range.

Our scuppers, emergency overflows, drains and flat roof fans are now available with an industrial manufactured, pre-welded foil connection. No clamping, no sticking. The firmly welded foil connection with a width of 20 mm is manufactured professionally and in accordance with standards. This saves you the trouble of manually welding the fixed flange to the soft sealing film on the construction site. Easy to use, perfect results. That's how it's done.

All information at:
highlights.kala.de



Drains Nexo Fix



Drains Nexo Fix				PU
Item No.	Material	Technical information		
151002	PVC	Basket D 300 mm,	D 50 mm	1
151019	similar to	Pipe length 320 mm ^{1,2}	(DN 50)	
151026	RAL 7035,			
151101	Light grey		D 75 mm	
151118			(DN 70)	
151125				
151132		Basket D 380 mm,	D 90 mm	
151149		Pipe length 320 mm ^{1,2}		
151156			D 95 mm	
151163				
151170				
151187				
151194			D 110 mm	
151200			(DN 100)	
151217				
151224			D 125 mm	
151231			(DN 125)	
151248				
151286			D 160 mm	
151293			(DN 150)	
151309				



Drains Nexo Fix						
Item No.	Material	Technical information		Manufacturer ³	Foil connection	PU
151316	FPO/PP	Basket D 300 mm,	D 50 mm	Bauder	Thermoplan T	1
151323	similar to	Pipe length 320 mm ^{1,2}	(DN 50)	SIKA	Sarnafil TS77	
151330	RAL 7044,			Soprema	FLAGON Premio	
151408	Silk grey		D 75 mm	Bauder	Thermoplan T	
151415			(DN 70)	SIKA	Sarnafil TS77	
151422				Soprema	FLAGON Premio	
151439		Basket D 380 mm,	D 90 mm	Bauder	Thermoplan T	
151446		Pipe length 320 mm ^{1,2}		SIKA	Sarnafil TS77	
151453				Soprema	FLAGON Premio	
151460			D 95 mm	Bauder	Thermoplan T	
151477				SIKA	Sarnafil TS77	
151484				Soprema	FLAGON Premio	
151491			D 110 mm	Bauder	Thermoplan T	
151507			(DN 100)	SIKA	Sarnafil TS77	
151514				Soprema	FLAGON Premio	
151521			D 125 mm	Bauder	Thermoplan T	
151538			(DN 125)	SIKA	Sarnafil TS77	
151545				Soprema	FLAGON Premio	
151583			D 160 mm	Bauder	Thermoplan T	
151590			(DN 150)	SIKA	Sarnafil TS77	
151606				Soprema	FLAGON Premio	

Matching accessories

You can find our suitable retaining ring on page 18.

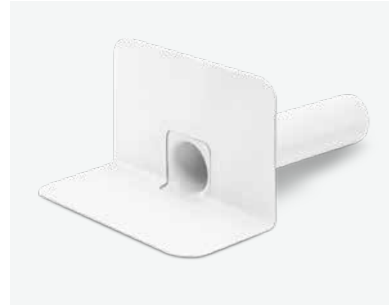
You can find more flat roof accessories from seals to lightning protection starting on page 20.

¹ Special lengths available on request / ² other diameter sizes available upon request /

³ **Attention:** The processing instructions of the roofing membrane manufacturer must be adhered to; Materials and used material compounds may be subject to change.



Scupper Nexo Fix, round

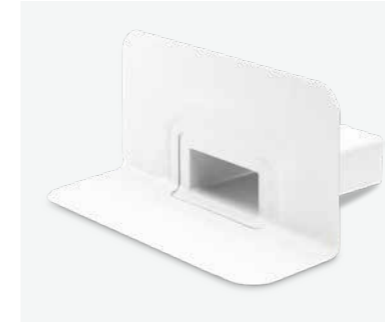


Scupper Nexo Fix, round				
Item No.	Material	Technical information		PU
152009	PVC	Pipe length 480 mm ¹		1
152016	similar to	D 50 mm (DN 50)		
152023	RAL 7035,	D 63 mm		
152030	Light grey	D 75 mm (DN 70)		
152047		D 90 mm		
152054		D 110 mm (DN 100)		
152061				
152078				
152085				
152092				
152108				
152115				
152122				
152139				
152146				



Scupper Nexo Fix, round						
Item No.	Material	Technical information		Manufacturer ²	Foil connection	PU
152184	FPO/PP	Pipe length 480 mm ¹		Bauder	Thermoplan T	1
152191	similar to	D 50 mm (DN 50)		SIKA	Sarnafil TS77	
152207	RAL 7044,	D 63 mm		Soprema	FLAGON Premio	
152214	Silk grey	D 75 mm (DN 70)		Bauder	Thermoplan T	
152221		D 90 mm		SIKA	Sarnafil TS77	
152238		D 110 mm (DN 100)		Soprema	FLAGON Premio	
152245				Bauder	Thermoplan T	
152252				SIKA	Sarnafil TS77	
152269				Soprema	FLAGON Premio	
152276				Bauder	Thermoplan T	
152283				SIKA	Sarnafil TS77	
152290				Soprema	FLAGON Premio	
152306				Bauder	Thermoplan T	
152313				SIKA	Sarnafil TS77	
152320				Soprema	FLAGON Premio	

Scupper Nexo Fix PVC, rectangular



Scupper Nexo Fix PVC, rectangular ³			
Item No.	Material	Duct = W x H x L mm ^{1,2}	PU
160004	PVC	120 x 60 x L 300	1
160011	similar to		
160028	RAL 7047,		
160035	Telegrey 4	120 x 60 x L 600	
160042			
160059			
160066		180 x 80 x L 300	
160073			
160080			
160097		180 x 80 x L 600	
160103			
160110			
160127		300 x 80 x L 300	
160134			
160141			
160158		300 x 80 x L 600	
160165			
160172			
160189		300 x 100 x L 300	
160196			
160202			
160219		300 x 100 x L 600	
160226			
160233			
160240		500 x 100 x L 300	
160257			
160264			
160271		500 x 100 x L 600	
160288			
160295			
160301		600 x 100 x L 300	
160318			
160325			
160332		600 x 100 x L 600	
160349			
160356			

Matching accessories

You can find our suitable retaining ring on page 18.

You can find more flat roof accessories from seals to lightning protection starting on page 20.

¹Special lengths available on request /

²**Attention:** The processing instructions of the roofing membrane manufacturer must be adhered to; Materials and used material compounds may be subject to change.

¹Special sizes available on request / ² custom designs are non-returnable / ³ alternatively also available with a retaining ring in the desired height.



Scupper Nexo Fix FPO/PP, rectangular



Scupper Nexo Fix FPO/PP, rectangular ³					
Item No.	Material	Duct = W x H x L mm ^{1,2}	Manufacturer ⁴	Foil connection	PU
160363	FPO/PP	120 x 60 x L 300	Bauder	Thermoplan T	1
160370	similar to		SIKA	Sarnafil TS77	
160387	RAL 7044,		Soprema	FLAGON Premio	
160394	Silk grey	120 x 60 x L 600	Bauder	Thermoplan T	
160400			SIKA	Sarnafil TS77	
160417			Soprema	FLAGON Premio	
160424		180 x 80 x L 300	Bauder	Thermoplan T	
160431	SIKA		Sarnafil TS77		
160448	Soprema		FLAGON Premio		
160455		180 x 80 x L 600	Bauder	Thermoplan T	
160462	SIKA		Sarnafil TS77		
160479	Soprema		FLAGON Premio		
160486		300 x 80 x L 300	Bauder	Thermoplan T	
160493	SIKA		Sarnafil TS77		
160509	Soprema		FLAGON Premio		
160516		300 x 80 x L 600	Bauder	Thermoplan T	
160523	SIKA		Sarnafil TS77		
160530	Soprema		FLAGON Premio		
160547		300 x 100 x L 300	Bauder	Thermoplan T	
160554	SIKA		Sarnafil TS77		
160561	Soprema		FLAGON Premio		
160578		300 x 100 x L 600	Bauder	Thermoplan T	
160585	SIKA		Sarnafil TS77		
160592	Soprema		FLAGON Premio		
160608		500 x 100 x L 300	Bauder	Thermoplan T	
160615	SIKA		Sarnafil TS77		
160622	Soprema		FLAGON Premio		
160639		500 x 100 x L 600	Bauder	Thermoplan T	
160646	SIKA		Sarnafil TS77		
160653	Soprema		FLAGON Premio		
160660		600 x 100 x L 300	Bauder	Thermoplan T	
160677	SIKA		Sarnafil TS77		
160684	Soprema		FLAGON Premio		
160691		600 x 100 x L 600	Bauder	Thermoplan T	
160707	SIKA		Sarnafil TS77		
160714	Soprema		FLAGON Premio		

Emergency overflow Nexo Fix, round



Emergency overflow Nexo Fix, round				
Item No.	Material	Technical information		PU
153006	PVC	Pipe length 490 mm ¹	D 50 mm (DN 50)	1
153013	similar to			
153020	RAL 7035,			
153037	Light grey		D 63 mm	
153044				
153051				
153068			D 75 mm (DN 70)	
153075				
153082				
153099			D 110 mm (DN 100)	
153105				
153112				
153129			D 125 mm (DN 125)	
153136				
153143				



Emergency overflow Nexo Fix, round								
Item No.	Material	Technical information	Manufacturer ²	Foil connection	PU			
153150	FPO/PP	Pipe length 490 mm ¹	Bauder	Thermoplan T	1			
153167	similar to					D 50 mm (DN 50)	SIKA	Sarnafil TS77
153174	RAL 7044,						Soprema	FLAGON Premio
153181	Silk grey		D 63 mm	Bauder			Thermoplan T	
153198				SIKA		Sarnafil TS77		
153204				Soprema		FLAGON Premio		
153211			D 75 mm (DN 70)	Bauder		Thermoplan T		
153228	SIKA			Sarnafil TS77				
153235	Soprema			FLAGON Premio				
153242			D 110 mm (DN 100)	Bauder		Thermoplan T		
153259	SIKA			Sarnafil TS77				
153266	Soprema			FLAGON Premio				
153273			D 125 mm (DN 125)	Bauder		Thermoplan T		
153280	SIKA			Sarnafil TS77				
153297	Soprema			FLAGON Premio				

¹Special sizes available on request / ²custom designs are non-returnable / ³alternatively also available with a retaining ring in the desired height /

⁴**Attention:** The processing instructions of the roofing membrane manufacturer must be adhered to; Materials and used material compounds may be subject to change.

¹Special lengths available on request /

²**Attention:** The processing instructions of the roofing membrane manufacturer must be adhered to; Materials and used material compounds may be subject to change.



Emergency overflow Nexo Fix PVC, rectangular



Emergency overflow Nexo Fix PVC, rectangular			
Item No.	Material	Duct = W x H x L mm ^{1,2}	PU
165009	PVC	120 x 60 x L 300	1
165016	similar to		
165023	RAL 7047,		
165030	Telegrey 4	120 x 60 x L 600	
165047			
165054			
165061		180 x 80 x L 300	
165078			
165085			
165092		180 x 80 x L 600	
165108			
165115			
165122		300 x 80 x L 300	
165139			
165146			
165153		300 x 80 x L 600	
165160			
165177			
165184		300 x 100 x L 300	
165191			
165207			
165214		300 x 100 x L 600	
165221			
165238			
165245		500 x 100 x L 300	
165252			
165269			
165276		500 x 100 x L 600	
165283			
165290			
165306		600 x 100 x L 300	
165313			
165320			
165337		600 x 100 x L 600	
165344			
165351			

Emergency overflow Nexo Fix FPO/PP, rectangular



Emergency overflow Nexo Fix FPO/PP, rectangular					
Item No.	Material	Duct = W x H x L mm ^{1,2}	Manufacturer ³	Foil connection	PU
165368	FPO/PP	120 x 60 x L 300	Bauder	Thermoplan T	1
165375	similar to		SIKA	Sarnafil TS77	
165382	RAL 7044,		Soprema	FLAGON Premio	
165399	Silk grey	120 x 60 x L 600	Bauder	Thermoplan T	
165405			SIKA	Sarnafil TS77	
165412			Soprema	FLAGON Premio	
165429		180 x 80 x L 300	Bauder	Thermoplan T	
165436			SIKA	Sarnafil TS77	
165443			Soprema	FLAGON Premio	
165450		180 x 80 x L 600	Bauder	Thermoplan T	
165467			SIKA	Sarnafil TS77	
165474			Soprema	FLAGON Premio	
165481		300 x 80 x L 300	Bauder	Thermoplan T	
165498			SIKA	Sarnafil TS77	
165504			Soprema	FLAGON Premio	
165511		300 x 80 x L 600	Bauder	Thermoplan T	
165528			SIKA	Sarnafil TS77	
165535			Soprema	FLAGON Premio	
165542		300 x 100 x L 300	Bauder	Thermoplan T	
165559			SIKA	Sarnafil TS77	
165566			Soprema	FLAGON Premio	
165573		300 x 100 x L 600	Bauder	Thermoplan T	
165580			SIKA	Sarnafil TS77	
165597			Soprema	FLAGON Premio	
165603		500 x 100 x L 300	Bauder	Thermoplan T	
165610			SIKA	Sarnafil TS77	
165627			Soprema	FLAGON Premio	
165634		500 x 100 x L 600	Bauder	Thermoplan T	
165641			SIKA	Sarnafil TS77	
165658			Soprema	FLAGON Premio	
165665		600 x 100 x L 300	Bauder	Thermoplan T	
165672			SIKA	Sarnafil TS77	
165689			Soprema	FLAGON Premio	
165696		600 x 100 x L 600	Bauder	Thermoplan T	
165702			SIKA	Sarnafil TS77	
165719			Soprema	FLAGON Premio	

¹Special sizes available on request / ² custom designs are non-returnable.

¹Special sizes available on request / ² custom designs are non-returnable /

³ **Attention:** The processing instructions of the roofing membrane manufacturer must be adhered to; Materials and used material compounds may be subject to change.



Flat roof fans Nexo Fix for ventilation lines with weather cap



Flat roof fans Nexo Fix for ventilation lines with weather cap					
Item No.	Material	Technical information	Height		PU
972003	PVC	D 75 mm (DN 70)	654 mm Pipe length above / below tray 300 / 320 mm ¹		1
972010	similar to				
972027	RAL 7035,	D 110 mm (DN 100)			
972034	Light grey				
972041					
972058					
972065		D 125 mm (DN 125)			
972072					
972089					
972096		D 160 mm (DN 150)			
972102					
972119					



Flat roof fans Nexo Fix for ventilation lines with weather cap						
Item No.	Material	Technical information	Height	Manufacturer ²	Foil connection	PU
972126	FPO/PP ²	D 75 mm (DN 70)	654 mm	Bauder	Thermoplan T	1
972133	similar to		Pipe length above / below tray 300 / 320 mm ¹	SIKA	Sarnafil TS77	
972140	RAL 7044,	D 110 mm (DN 100)		Soprema	FLAGON Premio	
972157	Silk grey			Bauder	Thermoplan T	
972164				SIKA	Sarnafil TS77	
972171				Soprema	FLAGON Premio	
972188		D 125 mm (DN 125)		Bauder	Thermoplan T	
972195			SIKA	Sarnafil TS77		
972201			Soprema	FLAGON Premio		
972218		D 160 mm (DN 150)	Bauder	Thermoplan T		
972225			SIKA	Sarnafil TS77		
972232			Soprema	FLAGON Premio		



Flat roof fans Nexo Fix for cold roofs with weather cap					
Item No.	Material	Technical information	Height		PU
971006	PVC	D 75 mm (DN 70)	354 mm ¹		1
971013	similar to				
971020	RAL 7035,	D 110 mm (DN 100)			
971037	Light grey				
971044					
971051					
971068		D 125 mm (DN 125)			
971075					
971082					
971099		D 160 mm (DN 150)			
971105					
971112					



Flat roof fans Nexo Fix for cold roofs with weather cap						
Item No.	Material	Technical information	Height	Manufacturer ²	Foil connection	PU
971129	FPO/PP	D 75 mm (DN 70)	354 mm ¹	Bauder	Thermoplan T	1
971136	similar to			SIKA	Sarnafil TS77	
971143	RAL 7044,	D 110 mm (DN 100)		Soprema	FLAGON Premio	
971150	Silk grey			Bauder	Thermoplan T	
971167				SIKA	Sarnafil TS77	
971174				Soprema	FLAGON Premio	
971181		D 125 mm (DN 125)		Bauder	Thermoplan T	
971198				SIKA	Sarnafil TS77	
971204				Soprema	FLAGON Premio	
971242		D 160 mm (DN 150)		Bauder	Thermoplan T	
971259				SIKA	Sarnafil TS77	
971266				Soprema	FLAGON Premio	

¹Special lengths available on request /

²**Attention:** The processing instructions of the roofing membrane manufacturer must be adhered to; Materials and used material compounds may be subject to change.

¹Special lengths available on request /

²**Attention:** The processing instructions of the roofing membrane manufacturer must be adhered to; Materials and used material compounds may be subject to change.



Flat roof refurbishment fans Nexo Fix with forced ventilation



Flat roof refurbishment fans Nexo Fix with forced ventilation					
Item No.	Material	Technical information	Height		PU
156007	PVC	D 125 mm (DN 125)	518 mm ¹		1
156014	similar to				
156021	RAL 7035,				
156038	Light grey	D 160 mm (DN 150)			
156045					
156052					



Flat roof refurbishment fans Nexo Fix with forced ventilation						
Item No.	Material	Technical information	Height	Manufacturer ²	Foil connection	PU
156069	FPO/PP	D 125 mm (DN 125)	518 mm ¹	Bauder	Thermoplan T	1
156076	similar to			SIKA	Sarnafil TS77	
156083	RAL 7044,			Soprema	FLAGON Premio	
156090	Silk grey	D 160 mm (DN 150)		Bauder	Thermoplan T	
156106				SIKA	Sarnafil TS77	
156113				Soprema	FLAGON Premio	

¹Special lengths available on request /

²**Attention:** The processing instructions of the roofing membrane manufacturer must be adhered to; Materials and used material compounds may be subject to change.

One-piece inspection fitting Nexo Fix for flat roof systems



One-piece inspection fitting Nexo Fix for flat roof systems					
Item No.	Material	Technical information	Height		PU
157004	PVC	D 125 mm (DN 125)	605 mm ¹		1
	similar to				
157011	RAL 7035,				
157028	Light grey				



One-piece inspection fitting Nexo Fix for flat roof systems						
Item No.	Material	Technical information	Height	Manufacturer ²	Foil connection	PU
157035	FPO/PP	D 125 mm (DN 125)	605 mm ¹	Bauder	Thermoplan T	1
	similar to			SIKA	Sarnafil TS77	
157042	RAL 7044,			Soprema	FLAGON Premio	
157059	Silk grey					

¹Special lengths available on request /

²**Attention:** The processing instructions of the roofing membrane manufacturer must be adhered to; Materials and used material compounds may be subject to change.

KALA systems for terraces: That's how it's done.



Professional terrace laying – durable and safe, without damaging sealants or pressing into the substrate

Smart solutions for quick terrace construction and durable protection of the underlying seal: Use KALA terrace support systems to achieve a durable and optimally fitted patio!

Complete underlayable terrace support system	43
Support system for wood, concrete or stone surfaces that can be quickly installed free-standing and with incremental height adjustment	
Height-adjustable terrace support system H1	44
Supports adjustable in fine increments for free-standing installation of terrace surfaces in wood, concrete and stone	
Height-adjustable terrace support system H2	45
Freely height-adjustable raised floor support for quick and precise installation of sealed roof terraces	
KALA terrace support system H-MAX	46
Freely height-adjustable, inclinable raised floor support for quick terrace construction and levelling on difficult substrates	
KALA terrace support system H-MAX MultiLevel	47
Discover all KALA terrace supports, including the optimal variant for wood sub-structures!	
Accessories for KALA terrace support systems	48
Cross/tile spacers	50

Get in touch!


+49 7423 8687 600
info@kala.de

Or visit our website at www.kala.de.

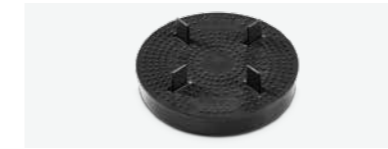




With KALA terrace support systems, you can realise professional, durable, and safe solutions for all types of terrace constructions. Whether renovation or new construction, for extremely low or extra high constructions – we have the right solution for your terrace. With KALA's support system, the support stands freely on a pressure disc. Movements and loads are decoupled from the underlying sealing and distributed over a sufficiently large area.

 Specifications on p. 64.

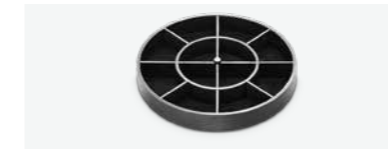
Underlayable terrace support system



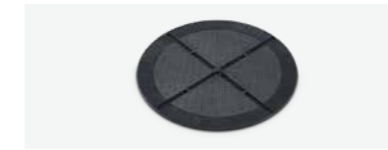
Complete underlayable terrace support system			
Item No.	Height mm	Diameter mm	PU
100093	21	Joint dividers 3 mm, D 120	100



Solo joint divider for underlayable terrace support systems			
Item No.	Height mm	Diameter mm	PU
100130	3	Joint dividers 3 mm, D 120	300
100161	3	Joint dividers 4 mm, D 120	300



Solo base element for underlayable terrace support systems			
Item No.	Height mm	Diameter mm	PU
100178	18	D 120	150



Equaliser disc, splits into quarters for underlayable terrace support systems			
Item No.	Height mm	Diameter mm	PU
100277	3	D 120	300



Equaliser ring for underlayable terrace support systems			
Item No.	Height mm	Diameter mm	PU
100307	6	D 120	300

Underlayable terrace support system

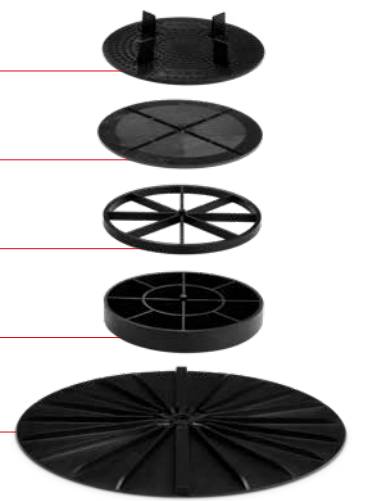
Joint dividers solo

Equaliser disc, splits into quarters

Equaliser ring

Solo base element

Large pressure disc



Support system for precise and durable terrace construction

The KALA terrace support system for fast and durable terrace constructions – including on sensitive substrates like flat roof sealing liners; can be directly installed on the sealing without protective mats.

Height-adjustable terrace support system H1



Height-adjustable terrace support system H1			
Item No.	Height mm	Diameter mm	PU
100017	28 - 42	Joint dividers 3 mm, D 120	50
100031	28 - 42	Joint dividers 4 mm, D 120	
100048	28 - 42	Without joint dividers, D 120	



KALA height-adjustable terrace sliding supports

Large pressure disc

Height-adjustable terrace support system H2



Height-adjustable terrace support system H2			
Item No.	Height mm	Diameter mm	PU
100055	40 - 70	Joint dividers 3 mm, D 120	50
100079	40 - 70	Joint dividers 4 mm, D 120	
100086	40 - 70	Without joint dividers, D 120	



KALA height-adjustable terrace sliding supports

Large pressure disc

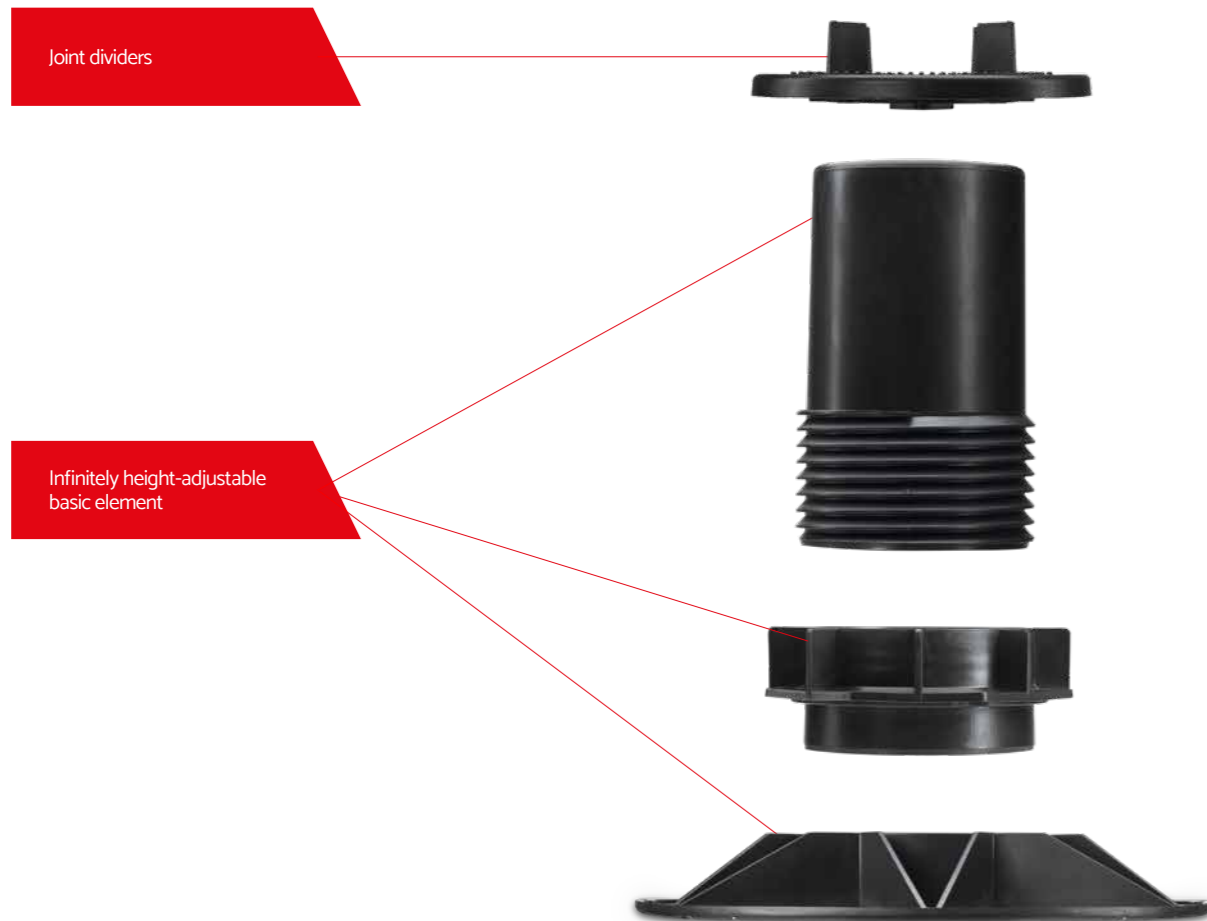
Install terraces on flat roof sealing liners and fine-tune height differences – quickly and easily!

The KALA terrace sliding support system precisely incrementally adjusted to your desired height is capable of more than just enabling the precise installation of terrace slabs on delicate substrates: It also facilitates easy levelling of height differences. Can also be combined with the ProSilent equaliser disc to reduce the impact noise that occurs.

KALA terrace support system H-MAX



KALA terrace support system H-MAX			
Item No.	Height mm	Diameter mm	PU
100574	65 - 100	Joint dividers 3 mm, Pressure disc D 205	25
100642	95 - 130		
100611	125 - 160		
100666	155 - 190		
100659	185 - 220		



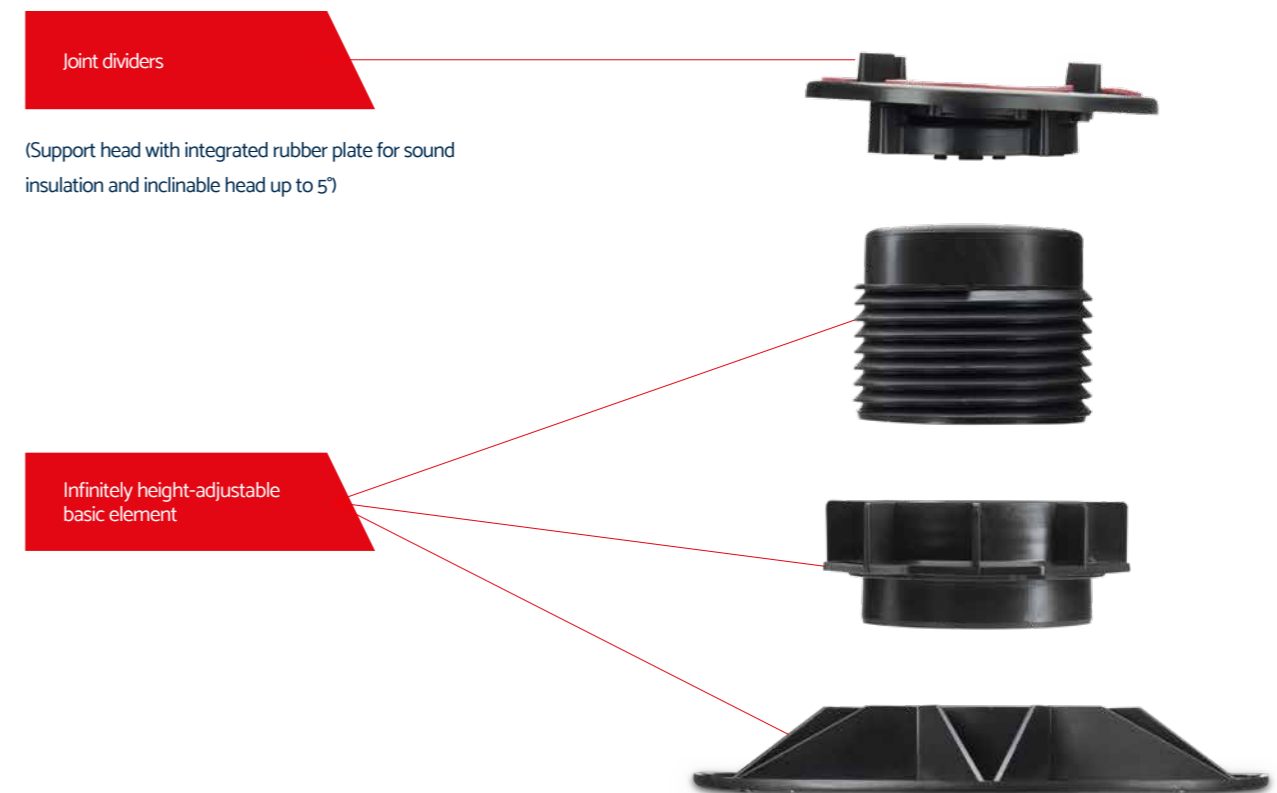
The precisely adjustable terrace support system from KALA: construct terraces with screw adjustment at a wide range of heights

Permanently raise terrace surfaces to the correct height in a few simple steps with the freely height-adjustable terrace support system H-MAX. The large support surface also protects the delicate seals below against damage and prevents the terrace from sinking into soft surfaces. Learn more about our floor support system!

KALA terrace support system H-MAX MultiLevel

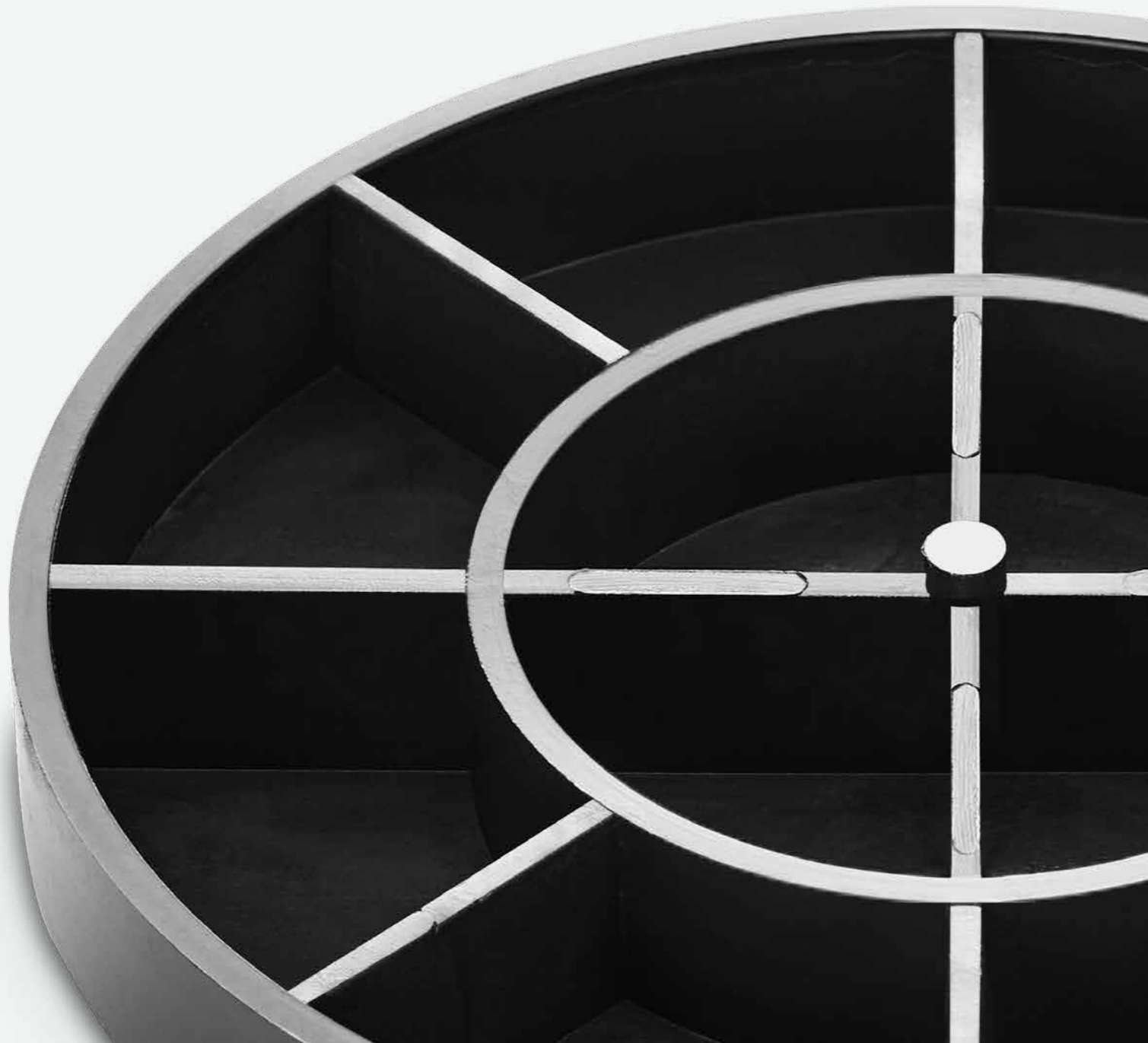


KALA terrace support system H-MAX MultiLevel			
Item No.	Height mm	Diameter mm	PU
100598	62 - 82	Joint dividers 3 mm, Pressure disc D 200	25
100604	77 - 112		
100635	107 - 142		
100628	137 - 227		



Seamlessly adjustable terrace support with inclinable head for fast and non-damaging terrace construction on uneven and/or sealed substrates

The KALA freely height-adjustable terrace support system H-MAX MultiLevel features an inclinable head, making it ideal for accurately planning the laying of all kinds of terrace surfaces. Simple levelling of uneven surfaces and slopes thanks to free height adjustment and a head which tilts up to 50 degrees. The large support surface protects the delicate seals below against damage and prevents sinking into soft surfaces.



Accessories for KALA terrace support systems



ProSilent equaliser disc for terrace support systems, splits into quarters				
Item No.	Height mm	Diameter mm	Material	PU
100253	1	D 112	PVC	50

Accessory suitable for height-adjustable or underlayable terrace support systems and KALA terrace support system H-MAX



Large pressure disc			
Item No.	Height mm	Diameter mm	PU
100215	7	D 250	100

Accessory suitable for height-adjustable or underlayable terrace support systems



Small pressure disc			
Item No.	Height mm	Diameter mm	PU
100246	3	D 200	100

Accessory suitable for height-adjustable or underlayable terrace support systems

Need even more variation? No problem: with our accessory portfolio for our terrace support systems, you can get the most out of your project. Here you will find everything you need to even out surfaces easily, distribute loads or create precise joints simply and quickly.



Specifications on p. 64.




Cross spacers – height: 18 mm



Cross spacers – height: 18 mm				
Item No.	Number of wings	Cross width	Colour	PU
100338	4 wings	3 mm	Black	300
100352	4 wings	3 mm	Transparent	
100369	4 wings	5 mm	Black	
100383	4 wings	5 mm	Transparent	
100390	4 wings	10 mm	Black	
100345	4 wings	4 mm	Black with support	
100376	4 wings	4 mm	Transparent with support	
100420	3 wings	3 mm	Black	
100451	3 wings	5 mm	Black	

Permanent and secure joint filling for all slab types with KALA spacers, also ideal for staggered and border installation!

 Specifications on p. 64.

Tile spacers for safely laying ceramic tile terraces

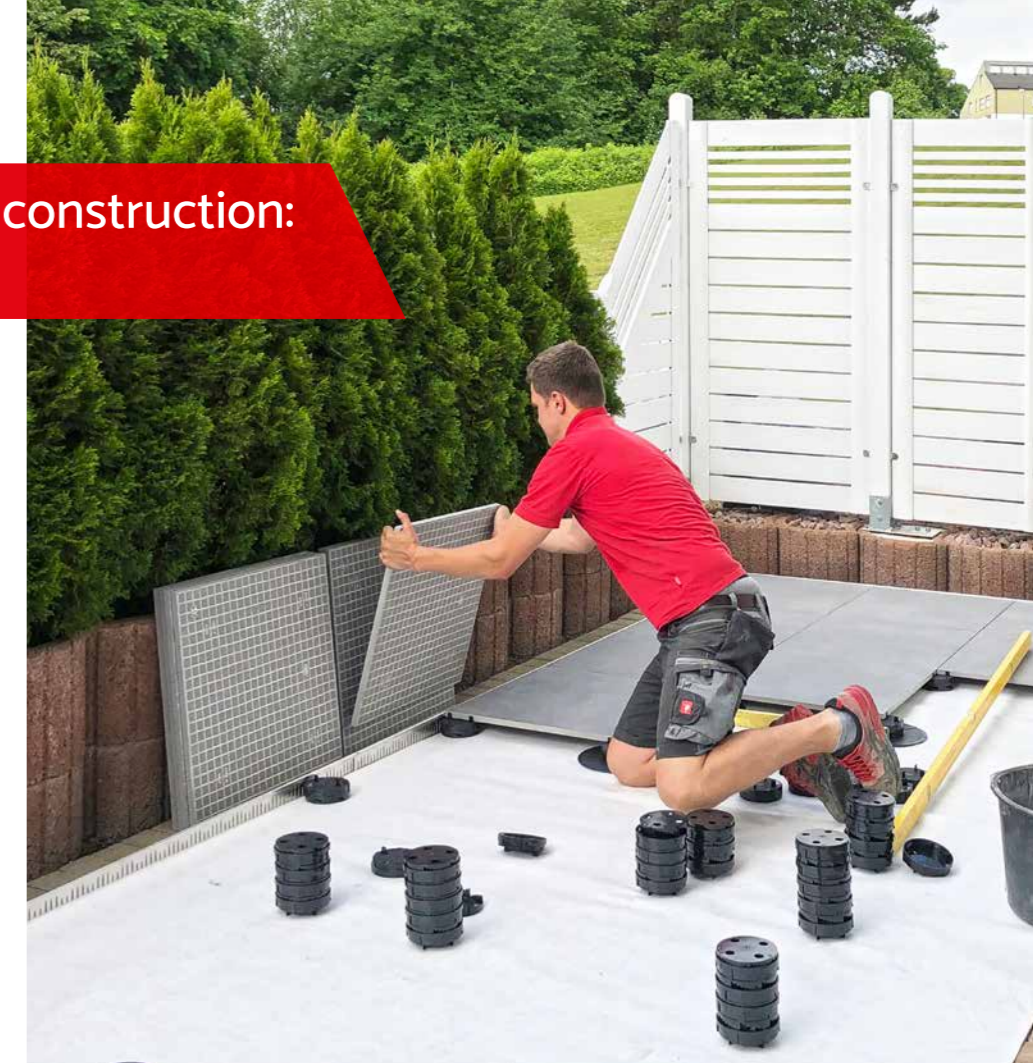
A simple way to achieve even and non-moving terrace joints by placing cross spacers in the joints between terrace slabs when laying on grit or gravel beds. The spacers ensure both a uniform appearance and adequate drainage of rainwater in the substrate. The wings can easily be snapped off for staggered or border installation.

Tile spacers for ceramic tiles and other slabs with support – height: 11 mm



Tile spacers for ceramic tiles and other slabs with support – height: 11 mm				
Item No.	Number of wings	Cross width	Colour	PU
100505	4 wings	3 mm	Black with support	300
100512	4 wings	3 mm	Transparent with support	
100529	4 wings	4 mm	Black with support	
100536	4 wings	4 mm	Transparent with support	
100543	4 wings	5 mm	Black with support	
100550	4 wings	5 mm	Transparent with support	

Professional terrace construction:
That's how it's done.



Tile spacers for safely laying ceramic tile terraces

A simple way to achieve even and non-moving terrace joints by placing tile spacers in the joints between ceramic tiles or other thin, light slabs when laying on grit or gravel beds. The tile spacers ensure both a uniform appearance and adequate drainage of rainwater in the substrate. The wings can easily be snapped off for staggered or border installation.



Roof systems:
That's how it's done.



Quality in every detail.

Flexible outlet vent connection/flexible tube for reliable building ventilation, protection from birds and shingle ventilation.

Solutions for steep roofs Learn more about our ventilator and bird deterrent products for steep roofs.

The original red flexible tube 56
Flexible outlet vent connection for connecting all conventional aeration and ventilation systems.

Ventilators for bitumen shingle roofs 57
Roof structure ventilation

Bird deterrent "bird spikes", transparent 58
Animal-friendly bird deterrent ledge with rounded spike ends.

Get in touch!

+49 7423 8687 600
info@kala.de

Or visit our website at www.kala.de.



The original red flexible tube



The original red flexible tube				
Item No.	Material	Technical information		PU
200014	PVC, UV-resistant	Length 50 cm	DN 70/100	10
200083		Length 100 cm	DN 70/100	6
200144		Length 60 cm	DN 125	10

Ready-to-install flexible tube for connection to all standard roof fans

Easy and reliable connection of roof fans and ventilation ducts that end in buildings with the highly flexible tube. Capable of handling heavy conduits whilst maintaining the full cable cross-section. The pre-assembled hose clamps can be used to attach the free hose end to the air duct.

Ventilators for bitumen shingle roofs



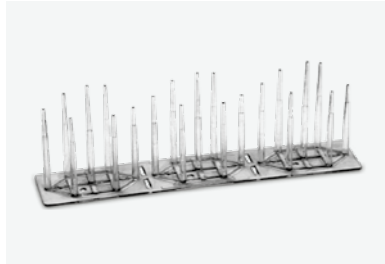
Ventilators for bitumen shingle roofs			
Item No.	Colour	Technical information	PU
200120	Black	180 cm ² ventilation	10
200151	Brown		
200182	Red		
200212	Gray		
UV-resistant			

Outlet vent connection, black			
Item No.	Material	Technical information	PU
200243	PVC, UV-resistant	DN 50/70/100	1
		Length 30 cm	
Accessory suitable for shingle roof fans			

The ideal vent for roof construction or building ventilation, with optional outlet vent connections for shingle roofs

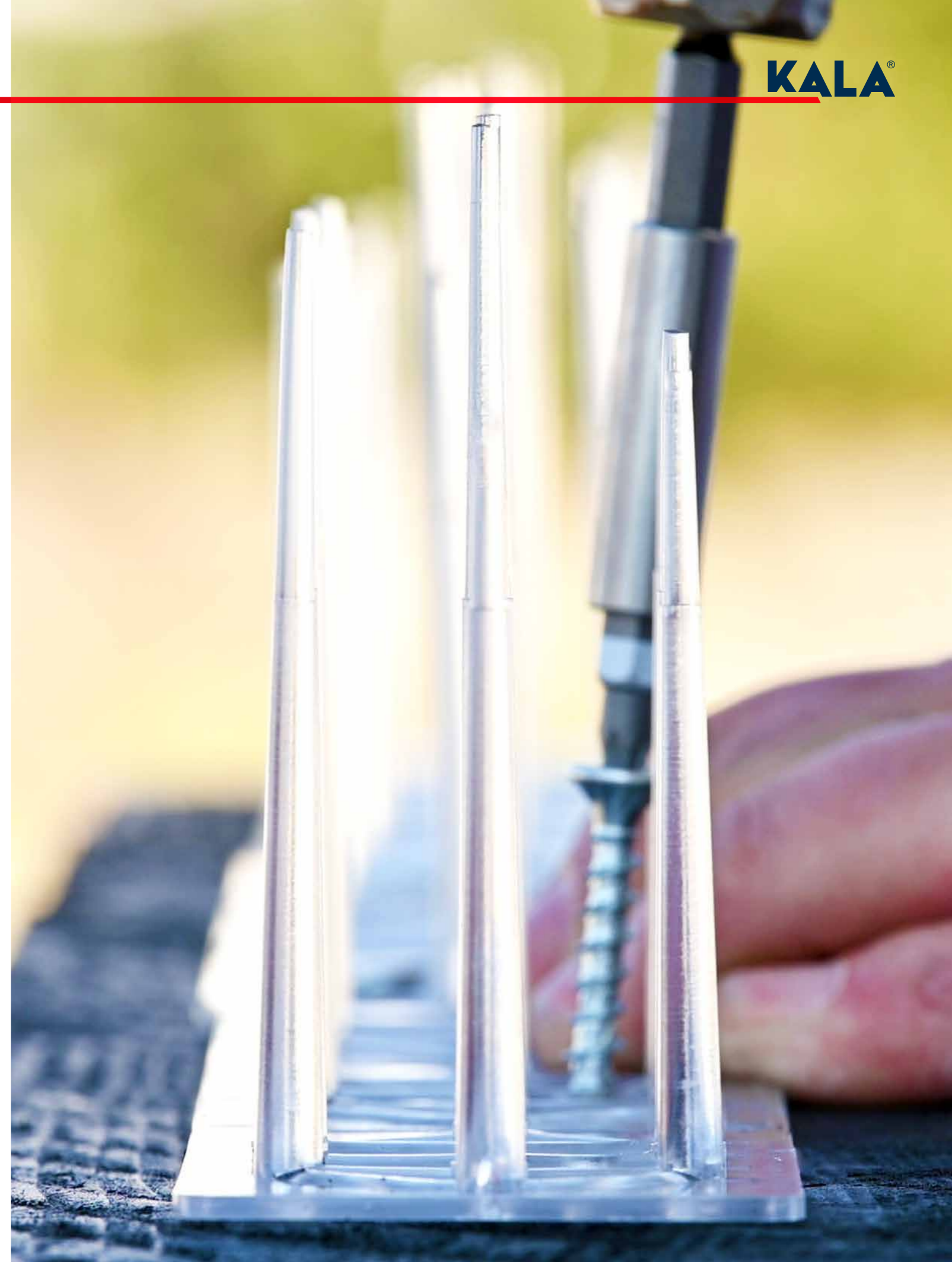
The shingle vent is an easy-to-install element for effective ventilation of steep roof spaces covered with bitumen shingles. The clip-on flexible vapour pipe is capable of diverting exhaust air from the building interior in a simple yet well-sealed manner. The roof's appearance remains uniform thanks to uniform use as a vent or vapour pipe.

Bird deterrent “bird spikes”, transparent



Bird deterrent “bird spikes”, transparent				
Item No.	Material	Technical information	PU	
200915	PC Polycarbonate, transparent, UV-resistant	L 25 x W 5 cm	Screw-in or glue-on	50

In order to protect buildings and other structures from bird droppings or nesting, KALA bird spikes offer an animal-friendly alternative to potentially harmful deterrent ledges with wire tips. The spiked elements prevent approaching birds, particularly pigeons, from landing and force them to fly elsewhere, significantly reducing the pollution and contamination of buildings caused by birds. The bird deterrent is made from transparent polycarbonate and is therefore weatherproof and UV-resistant. The transparent design ensures that the bird spikes have a minimal impact on the structure's overall appearance.



Customer service – That's how it's done.

Customer service is our number one priority, and not just in terms of quick delivery or instructions for the optimum installation of our products. We are happy to provide advice, instructions and general information!

Good advice is always free at KALA

Our services don't stop at great products. Are you a planner or project developer looking for the right products for your project? Or do you need some tips on how to select and use our products? Get in touch today.

Quick solutions for every issue

Do you have a question that requires a consultation and quick resolution? Get in touch with us for competent advice. We can also provide quick solutions for minor details such as express delivery, product queries or installation recommendations!

Get in touch!

+49 7423 8687 600
info@kala.de

Or visit our website at www.kala.de.



Achieve your goals with competent advice

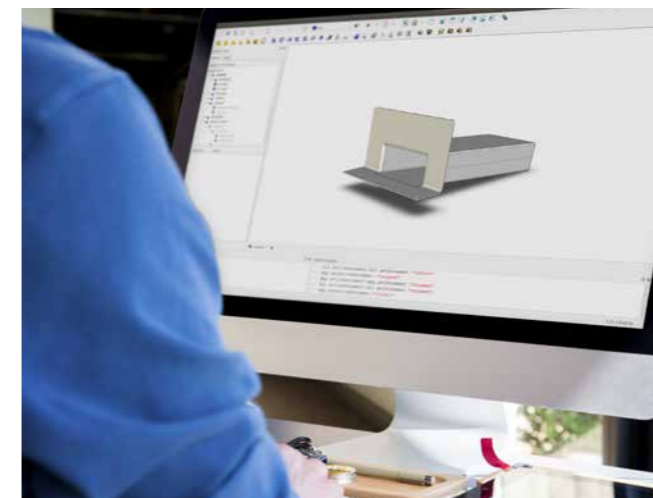


Customer service: That's how it's done.



Your partner for roof and terrace products

The search for a competent supplier for your roof and terrace product range ends with us: Gain an experienced OEM partner at your side. We can manufacture roof and terrace products for you and your brand from the range found on our website – we can also develop customised solutions to meet your requirements. Always with the top quality that your customers deserve.



Your partner for customised solutions

Are you a planner looking for a partner who not only provides reliable and effective products for flat roofs and terrace construction, but also offers customised solutions for specific requirements? Look no further! We are happy to make modifications to products found in our existing portfolio according to your requirements, or we can use our expertise to design entirely new products for your individual project. Take advantage of our expert advice for architects and planners: get in touch with us today!



Your partner for construction support

Our products may be self-explanatory, but sometimes a quick tip or two on how to use them properly can be a great help. We are happy to provide assistance with technical questions on our products: Give us a call or write an email and let us know about the issue. We'll take care of it, we promise!

KALA offers customers more than just great products: We are a reliable partner from the get go. Contact us to arrange a consultation.

Get in touch!

+49 7423 8687 600
info@kala.de



Or visit our website at www.kala.de.

Data sheets



... Tender text KALA supports

	Quantity unit	Price per unit	Total amount
Item ... Laying slabs on KALA terrace supports, height-adjustable H1 (28 - 42 mm) / H2 (40 - 70 mm) and KALA pressure disc Ø 250 mm across the surface	_____ m ²	_____ €	_____ €
Sourcing reference: KALA - KUNSTSTOFFE Karl-Heinz Lange GmbH+Co.KG +49 7423 8687 600 info@kala.de			
Item ... Cutting and laying the panels in the edge area	_____ lin. m	_____ €	_____ €

... Variants

• **No or minimal height differences:**

Laying on KALA terrace supports that can be placed underneath (height compensation with compensation elements).

• **Compensation for greater heights or steep gradients:**

Laying KALA terrace supports H-MAX (5 variants from 65 - 220 mm) or H-MAX MultiLevel (4 variants from 62 - 227 mm).

• **Pressure-resistant substrate, only protection of the seal necessary:**

If the substrate is pressure-resistant (concrete, screed, foam glass, PUR rigid foam under the seal), laying with the small Ø 200 mm pressure compensating disc is possible.

Needs assessment	
Panel size:	Number of supports / sqm:
30 x 30 cm	11,11
40 x 40 cm	6,25
40 x 60 cm	4,17
50 x 50 cm	4,00
60 x 60 cm	2,78
70 x 70 cm	2,04

Drains

Function:

Structural part for vertical drainage through the roof system. Connect to a pipe system for water drainage or install as an extension element for a roof gully. It's important to ensure that adequate backwater protection is installed.

Material:

Our drains are available in PVC, FPO/PP² and BIT for connection to the matching material used for the roof membrane. The materials are modified to be weather-resistant: UV-stabilised, against heat degradation and oxidative ageing as well as resistant to cold impact.

Available sizes:

- D 50 mm (DN 50)
- D 75 mm (DN 70)
- D 90 mm
- D 95 mm
- D 110 mm (DN 100)
- D 125 mm (DN 125)
- D 160 mm (DN 150)

Package units:

Supplied in cartons, PU 1 unit

Accessories:

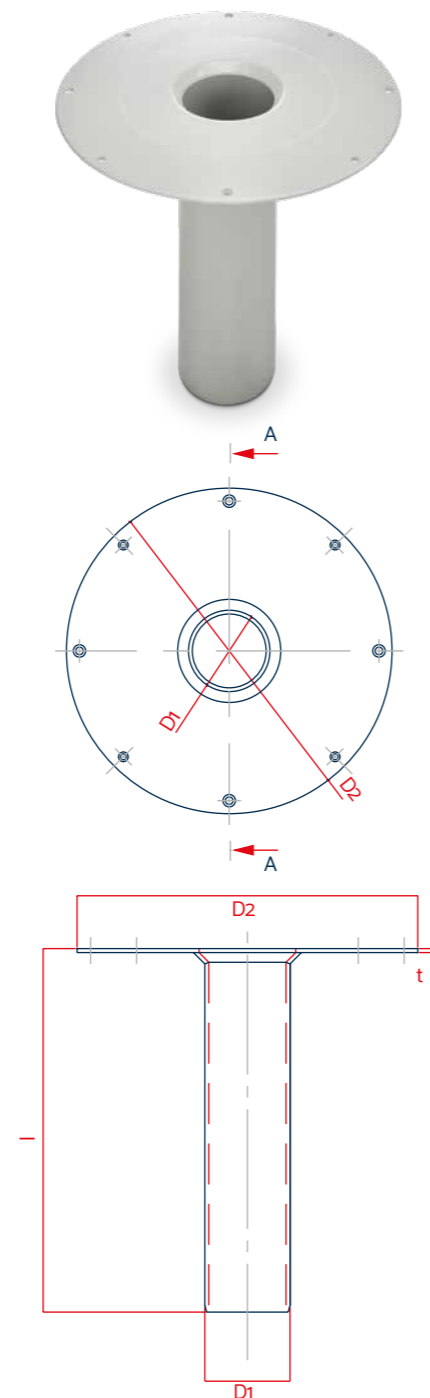
- Gravel basket Classic for drains
- Gravel basket Vario Fix for drains
- Lip seal for pipe connections
- Roll Ring⁴

Drainage performance litre/sec.:

LGA-certified characteristics

Diameter	Accumulation height	
	35 mm	65 mm
D 50 mm (DN 50)	3,70	N/A
D 75 mm (DN 70)	4,60	13,20
D 90 mm	5,30	14,60
D 110 mm (DN 100)	5,55	15,80
D 125 mm (DN 125)	5,55	16,00
D 160 mm (DN 150)	5,60	18,60

Technical data			
D1	50 / 56 / 63 / 75	90 / 95 / 110 / 125 / 160	mm
D2	300	380	
l	320 ¹	320 ¹	
t	3,5	3,5	



Scupper, round

Function:

Structure part for horizontal drainage through the parapets of flat roofs or terrace. Install by connecting to a pipe system for water drainage, or use for free-flow drainage. When installing the scupper, the precise installation point depends on the water level.

Material:

Our scuppers are available in PVC, FPO/PP² and BIT for connection to the matching material used for the roof membrane. The materials are modified to be weather-resistant: UV-stabilised, against heat degradation and oxidative ageing as well as resistant to cold impact.

Available sizes:

- D 50 mm (DN 50)
- D 63 mm
- D 75 mm (DN 70)
- D 90 mm
- D 110 mm (DN 100)
- D 125 mm (DN 125)

Package units:

Supplied in cartons, PU 1 unit

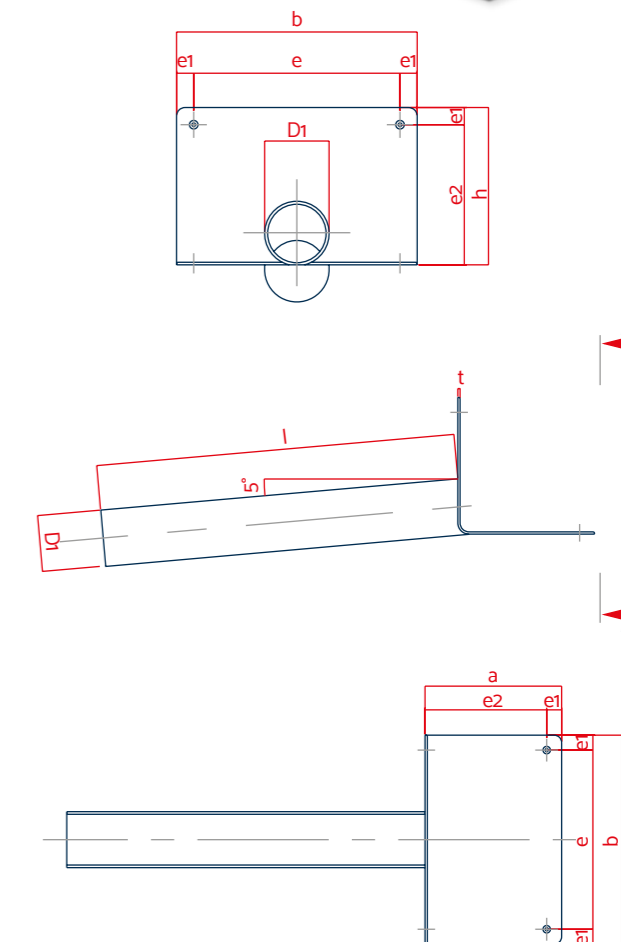
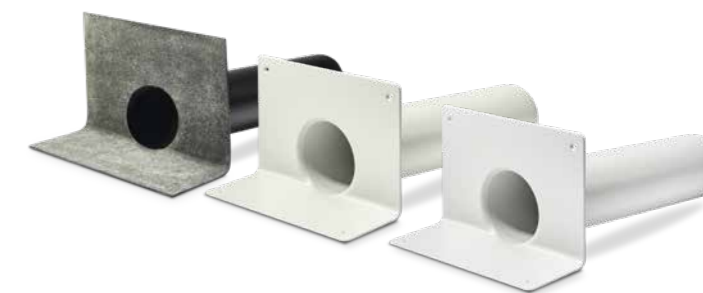
Accessories:

- Gravel basket Classic for scupper
- Gravel basket Vario Fix for scupper
- Vapour barrier sheet for scupper and emergency overflow, round

Drainage performance litre/sec.:

LGA-certified characteristics

Diameter	Accumulation height	
	35 mm	65 mm
D 50 mm (DN 50)	0,51	1,31
D 75 mm (DN 70)	0,65	1,65
D 90 mm	0,65	1,90
D 110 mm (DN 100)	1,00	2,65
D 125 mm (DN 125)	1,00	2,80



Technical data		
D1	50 / 63 / 75 / 90 / 110 / 125	mm
l	480 ¹	
a	112	
b	280	
h	186	
e	240	
e1	20	
e2	117	
t	3	
Pipe inclination 5°		

¹Special lengths available on request / ²also available in PE (roofing membranes based on PE) / ³other diameter sizes available upon request / ⁴Attention: We would like to point out that installation with a rolling ring does not conform to the standards. Backflow security is not guaranteed / ⁵Attention: The processing instructions of the roofing membrane manufacturer must be adhered to; Materials and used material compounds may be subject to change. KALA - KUNSTSTOFFE | Karl-Heinz Lange GmbH+Co.KG reserves the right to make technical changes.

¹Special lengths available on request / ²also available in PE (roofing membranes based on PE) / ³Attention: The processing instructions of the roofing membrane manufacturer must be adhered to; Materials and used material compounds may be subject to change. KALA - KUNSTSTOFFE | Karl-Heinz Lange GmbH+Co.KG reserves the right to make technical changes.

Scupper, rectangular

Function:

Moulded part for horizontal drainage or emergency drainage through the parapet wall. When installing the emergency overflow, the precise installation point depends on the water level.

Material¹:

PVC and FPO/PP² models for connection to the respective matching roofing membrane material type. Perform connection for bituminous waterproofing using liquid plastic. The materials are modified to be weather-resistant: UV-stabilised, against heat degradation and oxidative ageing as well as resistant to cold impact.

Available sizes (W x H – Internal dimensions) ¹:

- 120 x 60 mm • 300 x 80 mm • 500 x 100 mm • 750 x 100 mm
- 180 x 80 mm • 300 x 100 mm • 600 x 100 mm • 1000 x 100 mm

Available length (l):

- 300 mm • 600 mm

Colours:

- PVC similar to RAL 7047, Telegrey 4
- FPO/PP similar to RAL 7044, Silk grey

Package units:

Supplied in cartons, PU 1 unit

Accessories ³:

Vapour barrier sheet for scupper and emergency overflow, rectangular

Drainage performance litre/sec.:

LGA-certified characteristics

Duct = W x H ^{1,4}	Accumulation height	
	35 mm	65 mm
120 x 60	1,30	3,50
180 x 80	1,90	5,00
300 x 80	3,00	7,80
300 x 100	3,00	7,80
500 x 100	5,50	13,40
600 x 100	7,20	N/A
750 x 100	7,50	19,20
1000 x 100	12,60	29,40

Technical data ⁴							
Duct = W x H	b	h	c	x	y		
120 x 60	120	60	300	153	100	mm	
180 x 80	180	80	360	173	100		
300 x 80	300	80	480	173	100		
300 x 100	300	100	480	193	100		
500 x 100	500	100	680	193	100		
600 x 100	600	100	780	193	100		
750 x 100	750	100	930	193	100		
1000 x 100	1000	100	1180	193	100		
Pipe inclination 5° in each case							

¹Special sizes available on request / ²also available in PE (PE-based roof membranes) and BIT (sealed with liquid plastic) / ³alternatively also available with a retaining ring in the desired height / ⁴custom designs are non-returnable / **Attention:** The processing instructions of the roofing membrane manufacturer must be adhered to; Materials and used material compounds may be subject to change. KALA – KUNSTSTOFFE | Karl-Heinz Lange GmbH+Co.KG reserves the right to make technical changes.

Emergency overflow, round

Function:

Moulded part for horizontal emergency drainage through the parapet wall. Install by connecting to a pipe system for water drainage, or use for free-flow drainage. When installing the emergency overflow, the precise installation point depends on the water level.

Material¹:

Our emergency overflows are available in PVC, FPO/PP² and BIT for connection to the matching material used for the roof membrane. The materials are modified to be weather-resistant: UV-stabilised, against heat degradation and oxidative ageing as well as resistant to cold impact.

Available sizes:

- D 50 mm (DN 50) • D 110 mm (DN 100)
- D 63 mm • D 125 mm (DN 125)
- D 75 mm (DN 70)

Package units:

Supplied in cartons, PU 1 unit

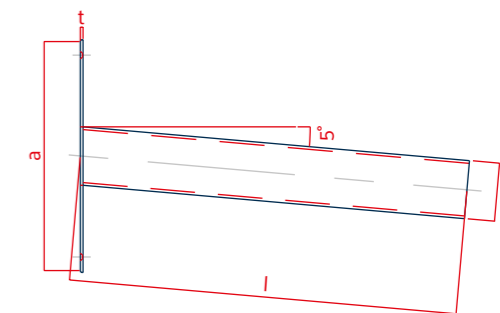
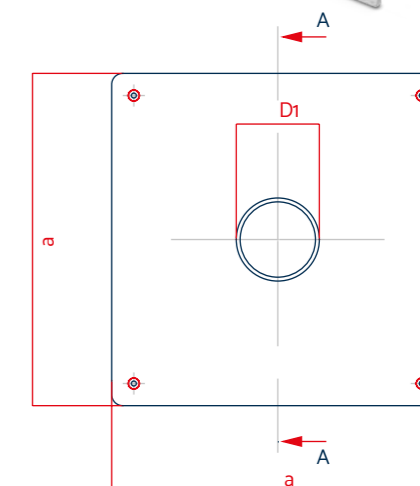
Accessories:

Vapour barrier sheet for scupper and emergency overflow, round

Drainage performance litre/sec.:

LGA-certified characteristics

Diameter	Accumulation height	
	35 mm	65 mm
D 50 mm (DN 50)	0,51	1,31
D 75 mm (DN 70)	0,65	1,65
D 110 mm (DN 100)	1,00	2,65
D 125 mm (DN 125)	1,00	2,80



Technical data		
D1	50 / 63 / 75 / 110 / 125	
a	300	
l	490 ¹	
t	3,0	
Pipe inclination 5°		

¹Special lengths available on request / ²also available in PE (roofing membranes based on PE) / ³**Attention:** The processing instructions of the roofing membrane manufacturer must be adhered to; Materials and used material compounds may be subject to change. KALA – KUNSTSTOFFE | Karl-Heinz Lange GmbH+Co.KG reserves the right to make technical changes.

Emergency overflow, rectangular



Function:

Moulded part for horizontal drainage or emergency drainage through the parapet wall. When installing the emergency overflow, the precise installation point depends on the water level.

Material:

PVC and FPO/PP² models for connection to the respective matching roofing membrane material type. Perform connection for bituminous waterproofing using liquid plastic. The materials are modified to be weather-resistant: UV-stabilised, against heat degradation and oxidative ageing as well as resistant to cold impact.

Available sizes (W x H – Internal dimensions) ¹:

- 120 x 60 mm • 300 x 80 mm • 500 x 100 mm • 750 x 100 mm
- 180 x 80 mm • 300 x 100 mm • 600 x 100 mm • 1000 x 100 mm

Available length (l):

- 300 mm • 600 mm

Colours:

- PVC similar to RAL 7047, Telegrey 4
- FPO/PP similar to RAL 7044, Silk grey

Package units:

Supplied in cartons, PU 1 unit

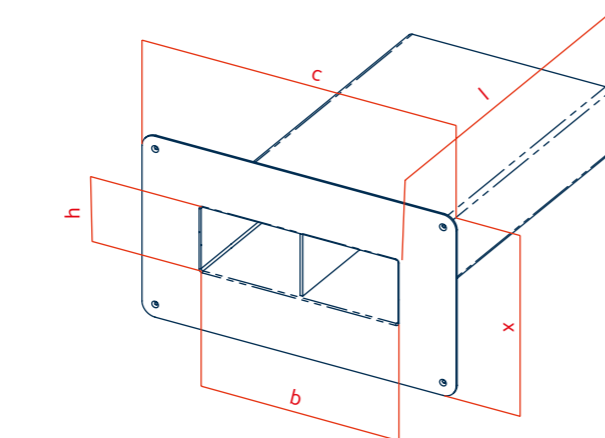
Accessories:

Vapour barrier sheet for scupper and emergency overflow, rectangular

Drainage performance litre/sec.:

LGA-certified characteristics

Duct = W x H ³	Accumulation height	
	35 mm	65 mm
120 x 60	1,30	3,50
180 x 80	1,90	5,00
300 x 80	3,00	7,80
300 x 100	3,00	7,80
500 x 100	5,50	13,40
600 x 100	7,20	N/A
750 x 100	7,50	19,20
1000 x 100	12,60	29,40



Technical data ³						
Duct = W x H	b	h	c	x		
120 x 60	120	60	300	240	mm	
180 x 80	180	80	360	260		
300 x 80	300	80	480	260		
300 x 100	300	100	480	280		
500 x 100	500	100	680	280		
600 x 100	600	100	780	280		
750 x 100	750	100	930	280		
1000 x 100	1000	100	1180	280		
Pipe inclination 5° in each case						

... Tender text Drainage / emergency drainage, rectangular

	Quantity unit	Price per unit	Total amount
Item ... Rectangular emergency overflow made of PVC , with LGA-tested drainage capacity, pipe cross-section internal dimensions: W mm x H mm, pipe length mm, panel thickness 4 - 5 mm with 90° angled tray, pipe inclination 5°: deliver, install and professionally connect to sealing.	_____ pieces	_____ €	_____ €
Proof of reference: KALA – KUNSTSTOFFE Karl-Heinz Lange GmbH+Co.KG +49 7423 8687 600 info@kala.de			
Item ... Rectangular emergency overflow made of FPO/PP¹ , with LGA-tested drainage capacity, pipe cross-section internal dimensions: W mm x H mm, pipe length mm, panel thickness 4 - 5 mm with 90° angled tray, pipe inclination 5°: deliver, install and professionally connect to sealing.	_____ pieces	_____ €	_____ €
Proof of reference: KALA – KUNSTSTOFFE Karl-Heinz Lange GmbH+Co.KG +49 7423 8687 600 info@kala.de			
Attention: Please add your internal dimensions to the fields marked with _____.			

¹Special sizes available on request / ²also available in PE (PE-based roof membranes) and BIT (sealed with liquid plastic) / ³custom designs are non-returnable /

⁴**Attention:** The processing instructions of the roofing membrane manufacturer must be adhered to; Materials and used material compounds may be subject to change. KALA – KUNSTSTOFFE | Karl-Heinz Lange GmbH+Co.KG reserves the right to make technical changes.

¹Also available in PE (roofing membranes based on PE)

Installation guide for KALA – drainage and emergency drainage elements

1. Position the element in the parapet, opening or ceiling hole provided by the customer and fix into place.
Check the gap from the pipe to the wall and fill, if necessary.
Make sure to fix the installation holes in place!
2. Pre-treating the surface: The tray and membrane to be applied must be clean, dry and free from any residues such as grease or silicones.
3. The roof membrane then needs to be correctly connected to the element tray in line with the Flat Roof Directive ["Flachdachrichtlinien"] and the installation guidelines published by the manufacturer.
4. Suitable liquid plastic seals must be used to connect the bituminous seals of rectangular emergency overflows or scuppers.
5. The trays with the bitumen connection must be set down horizontally on a flat surface to ensure proper storage of the BIT drains and grommets. We do not assume any liability for damage, e.g. delays, incurred by improper storage.

Flat roof fans for ventilation lines with weather cap

Function:

The flat roof fan is used for ventilation purposes:

- Ventilation of bathrooms and toilets without outside windows
- Wastewater aeration and ventilation
- Ventilation of extractor hoods in kitchens
- Controlled ventilation of the home

Installation:

Align the fan on the underlay and secure it in position at four points on the underlay using the holes drilled into the edge of the tray.
Place the membrane on the tray and join the membrane and the tray with a weld seam at least 20 mm wide.

Material:

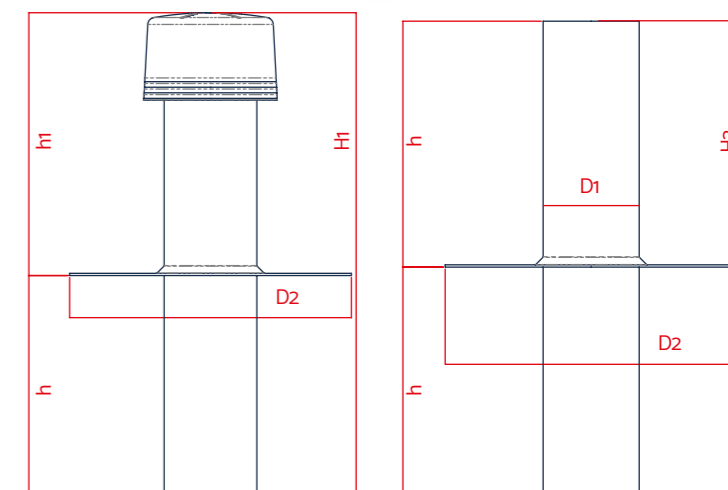
Our fans are available in PVC and FPO/PP² for connection to the matching material used for the roof membrane. The materials are modified to be weather-resistant: UV-stabilised, against heat degradation and oxidative ageing as well as resistant to cold impact.

Available sizes:

- D 75 mm (DN 70)
- D 125 mm (DN 125)
- D 110 mm (DN 100)
- D 160 mm (DN 150)

Package units:

Supplied in cartons, PU 1 unit



Technical data	
H1 with cap	654 mm
H2 without cap	620 mm
D1	DN 70 / DN 100 / DN 125 / DN 150
D sheet D2	For size DN 70 = 300 mm For all others = 380 mm
h1 with cap	334 mm
h2 without cap	300 mm
h	320 mm

¹Special lengths available on request / ²also available in PE (roofing membranes based on PE) / ³**Attention:** The processing instructions of the roofing membrane manufacturer must be adhered to; Materials and used material compounds may be subject to change. KALA - KUNSTSTOFFE | Karl-Heinz Lange GmbH+Co.KG reserves the right to make technical changes.

Flat roof fans for cold roofs with weather cap

Function:

- Ventilation and aeration of flat roof structures
- For a drenched roof package for moisture removal and drying out

Installation³:

Align the fan on the underlay and secure it in position at four points on the underlay using the holes drilled into the edge of the tray. Place the membrane on the tray and join the membrane and the tray with a weld seam at least 20 mm wide. For the BIT option, incorporate the factory-laminated bitumen connection into the multi-layer waterproofing composite in a workmanlike manner.

Material:

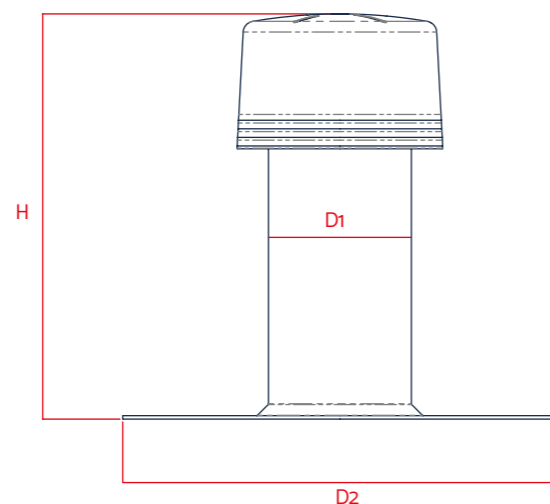
Our fans are available in PVC, FPO/PP² and BIT for connection to the matching material used for the roof membrane. The materials are modified to be weather-resistant: UV-stabilised, against heat degradation and oxidative ageing as well as resistant to cold impact.

Available sizes¹:

- D 75 mm (DN 70)
- D 110 mm (DN 100)
- D 125 mm (DN 125)
- D 160 mm (DN 150)

Package units:

Supplied in cartons, PU 1 unit



Technical data	
H	354 mm ¹
D1	D 75 mm (DN 70) / D 110 mm (DN 100) / D 125 mm (DN 125) / D 160 mm (DN 150)
D2	For size DN 70 = 300 mm For all others = 380 mm

¹Special lengths available on request / ²also available in PE (roofing membranes based on PE) / ³**Attention:** The processing instructions of the roofing membrane manufacturer must be adhered to; Materials and used material compounds may be subject to change. KALA - KUNSTSTOFFE | Karl-Heinz Lange GmbH+Co.KG reserves the right to make technical changes.

Flat roof refurbishment fans with forced ventilation

Function:

- Moisture removal, forced ventilation of roof structures
- For a drenched roof package for moisture removal and drying out

In this variant, a maintenance-free suction fan that is driven by the wind (achieves a very high air flow rate) is attached to the base body. The fan is resistant to driving rain and snow and is supplied completely ready for installation and can be welded directly to the roof membrane.

Installation³:

Align the fan on the underlay and secure it in position at four points on the underlay using the holes drilled into the edge of the tray. Place the membrane on the tray and join the membrane and the tray with a weld seam at least 20 mm wide. For the BIT option, incorporate the factory-laminated bitumen connection into the multi-layer waterproofing composite in a workmanlike manner.

Material:

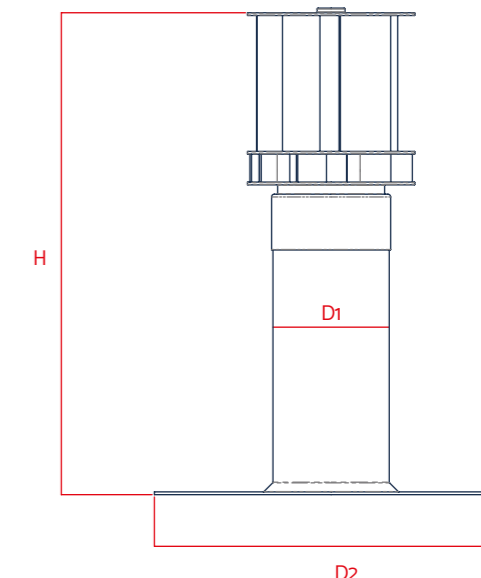
Our fans are available in PVC, FPO/PP² and BIT for connection to the matching material used for the roof membrane. The materials are modified to be weather-resistant: UV-stabilised, against heat degradation and oxidative ageing as well as resistant to cold impact. The suction fan attachment is made of high-quality aluminium.

Available sizes¹:

- D 125 mm (DN 125)
- D 160 mm (DN 150)

Package units:

Supplied in cartons, PU 1 unit



Technical data	
H	518 mm ¹
D1	D 125 mm (DN 125) / D 160 mm (DN 150)
D2	380 mm

¹Special lengths available on request / ²also available in PE (roofing membranes based on PE) / ³**Attention:** The processing instructions of the roofing membrane manufacturer must be adhered to; Materials and used material compounds may be subject to change. KALA - KUNSTSTOFFE | Karl-Heinz Lange GmbH+Co.KG reserves the right to make technical changes.

Universal weather cap for flat roof fans

Function:

Weatherproof cover for ventilation ducts. Securing the ventilation duct with the KALA weather protection cap prevents snow and rain from entering. The streamlined cross-section facilitates the exchange of air.

The weather protection cap is simply pushed onto the ventilation duct and pressed tight. The guide pins are designed for connection to DN 100 and DN 125 ventilation ducts. The design provides for a secure hold of the cap on the duct.

Material:

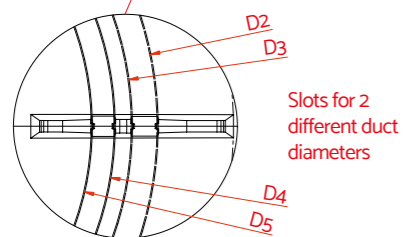
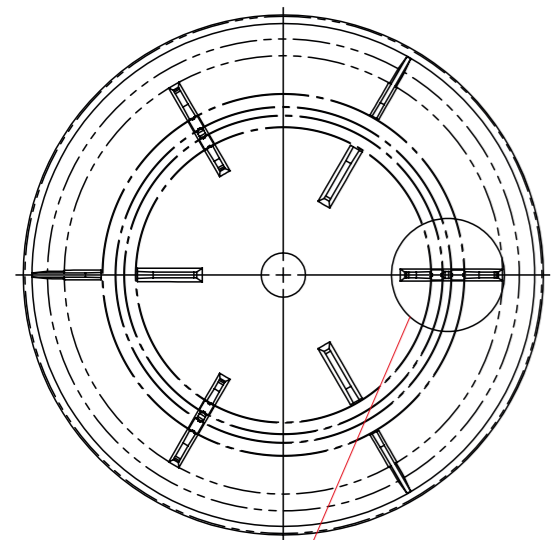
FPO/PP, impact resistant, weatherproof, UV-stabilized

Versions:

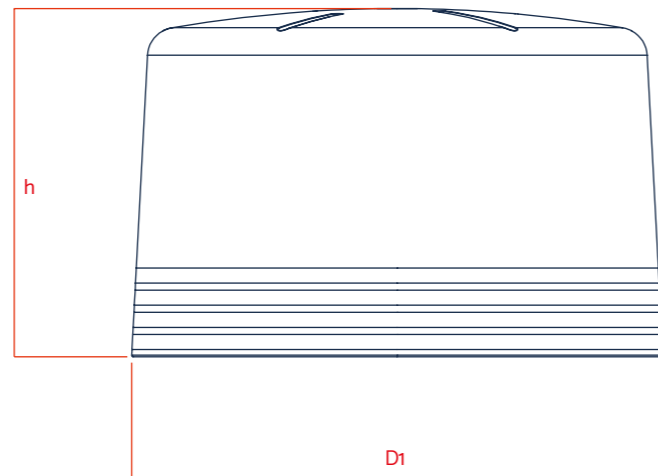
- Suitable for use with DN 100 and DN 125
- Colour black, other colors available on request

Package units:

Supplied in foil bags, PU 1 unit



Slots for 2 different duct diameters



Technical data	
h	118 mm
D1	ø 180 mm
D2	ø 125 mm
D3	ø 116 mm
D4	ø 110 mm
D5	ø 102 mm

KALA - KUNSTSTOFFE | Karl-Heinz Lange GmbH+Co.KG reserves the right to make technical changes.

Gravel basket Vario Fix variably adjustable for drains and gullies

Function:

Moulded part as attachment to a drain or gully. Serves to retain coarse dirt particles to stop the drainage system from clogging up. The LGA-certified, flow-optimised design ensures minimal loss of flow and high performance, even during torrential rain.

Installation:

The delivery is ready for installation. Place the gravel basket centrally on the drain or gully, press the locking button down and turn it to the right to lock - done. The spreading feet can be continuously adjusted to the diameter of the drain or gully with the turning mechanism. For later removal, simply turn the knob to the left again to unlock and pull out. When unlocked, the spreader feet can simply be pressed together again.

Material:

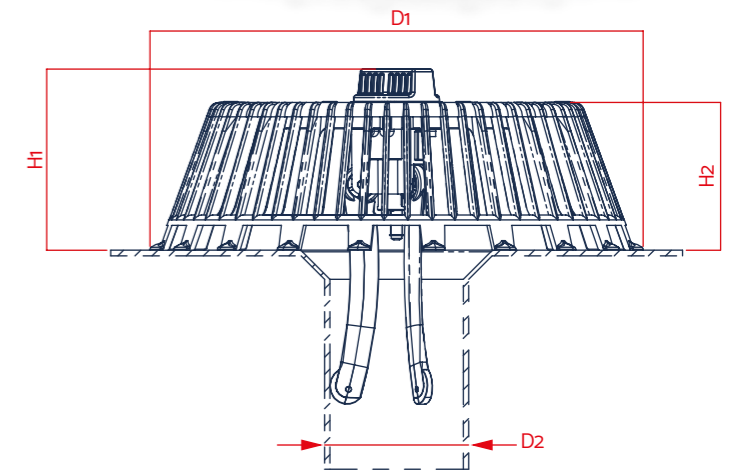
- PE Black
- Low-temperature impact resistant plastic, weatherproof, UV-stabilized

Available sizes:

Suitable for all diameters ranging from D 50 mm (DN 50) to D 160 mm (DN 150)

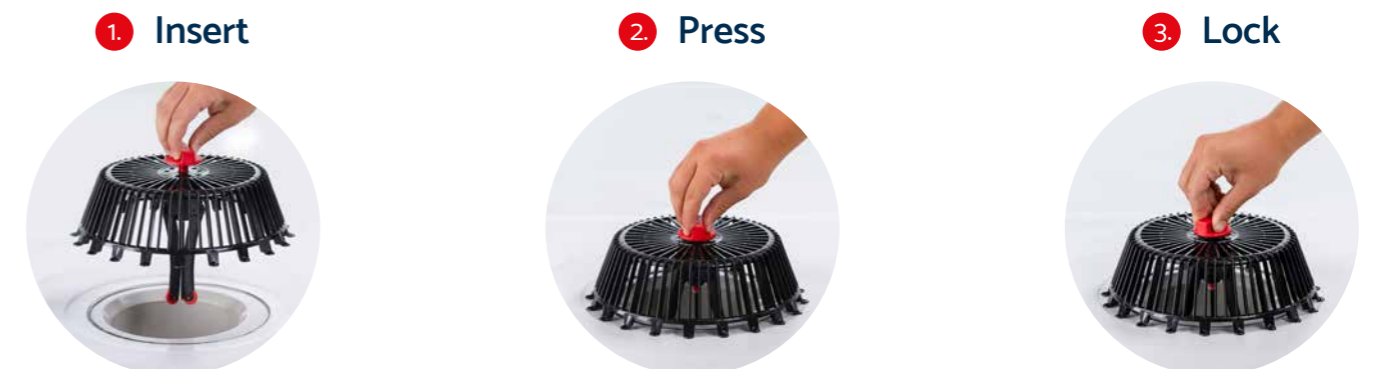
Package units:

Supplied in cartons, PU 10 units



Technical data		
H1	95	mm
H2	77,50	
D1	260	
D2	D 50 - D 160	

Fixed in the blink of an eye:



KALA - KUNSTSTOFFE | Karl-Heinz Lange GmbH+Co.KG reserves the right to make technical changes.

Gravel basket Vario Fix variably adjustable for scupper

Function:

Moulded part as an attachment to a scupper. Serves to retain coarse dirt particles to stop the drainage system from clogging up. The flow-optimised geometry ensures low levels of loss and a high flow rate even in heavy rain.

Installation:

The delivery is ready for installation. Place the gravel basket centrally on the scupperpout, press the locking button down and turn to the right to lock - done. The spreading feet can be continuously adjusted to the diameter of the feeder with the turning mechanism. For later removal, simply turn the knob to the left again to unlock and pull out. When unlocked, the spreader feet can simply be pressed together again.

Material:

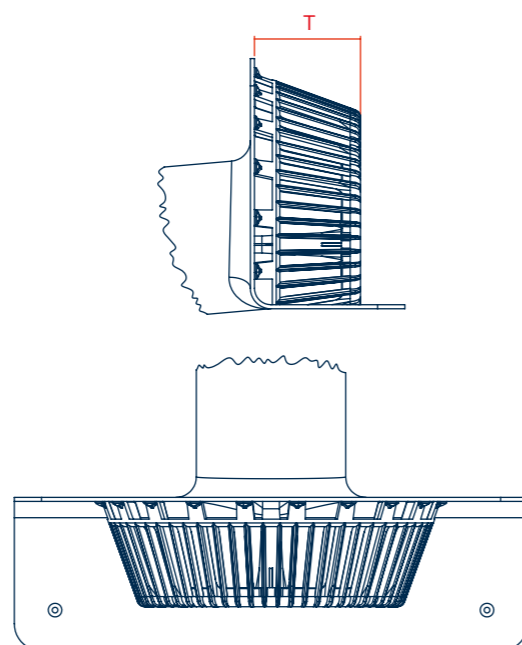
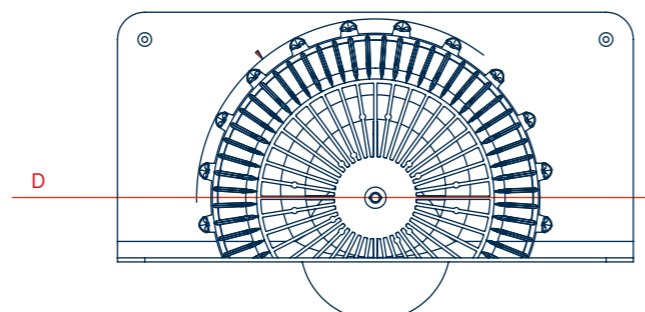
- PE Black
- Low-temperature impact resistant plastic, weatherproof, UV-stabilized

Available sizes:

Suitable for all diameters ranging from D 50 mm (DN 50) to D 125 mm (DN 125)

Package units:

Supplied in cartons, PU 10 units



Technical data		
D	262	mm
T	77.5	

Gravel basket Classic with centering cross for drains and gullies

Function:

Moulded part as attachment to a drain or gully. Serves to retain coarse dirt particles to stop the drainage system from clogging up. The LGA-certified, flow-optimised design ensures minimal loss of flow and high performance, even during torrential rain.

Installation:

Shorten the four wings on the centering cross to match the inner diameter of the drain or gully, slightly oversize and simply press in. The cutting mark on all four wings makes it easy to cut them exactly to size. Fits all standard drains and gullies up to DN 150.

Material:

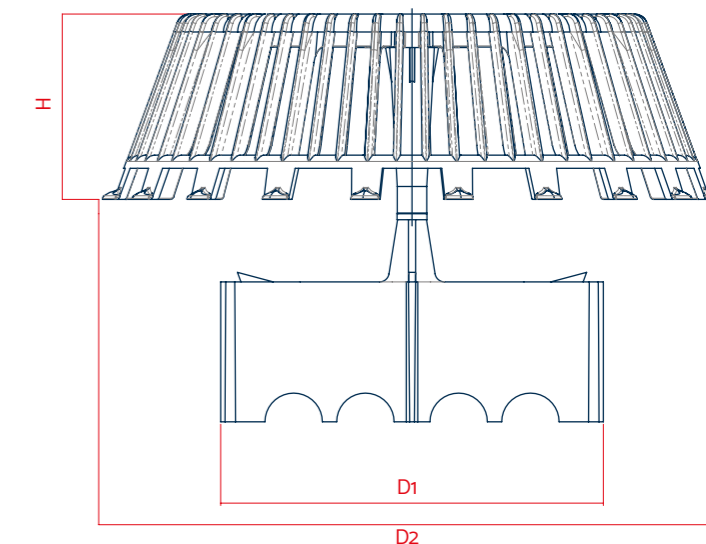
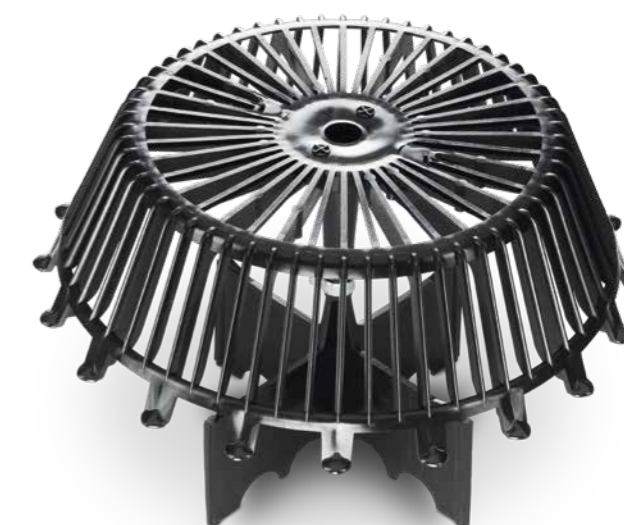
- PE Black
- Low-temperature impact resistant plastic, weatherproof, UV-stabilized

Available sizes:

Suitable for all diameters ranging from D 50 mm (DN 50) to D 160 mm (DN 150)

Package units:

Supplied in cartons, PU 10 units



Technical data		
H	77.5	mm
D1	160	
D2	262	

Gravel basket Classic with centering cross for scupper

Function:

Moulded part as an attachment to a spout. Serves to retain coarse dirt particles to stop the drainage system from clogging up. The flow-optimised geometry ensures low levels of loss and a high flow rate even in heavy rain.

Installation:

Simply insert – the centring cross for attaching the spout screen in the pipe is already cut to size.

Material:

- PE Black
- Low-temperature impact resistant plastic, weatherproof, UV-stabilized

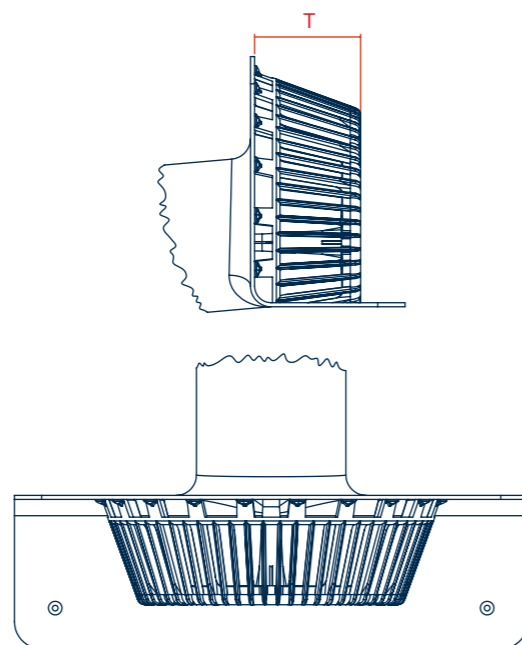
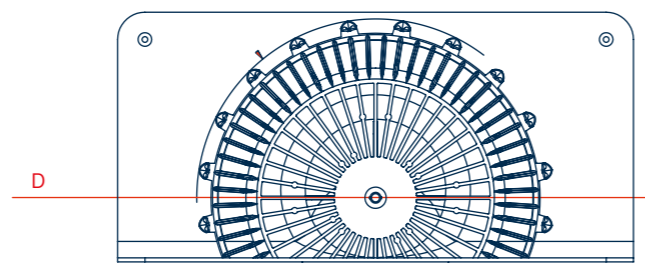
Available sizes:

Suitable for all diameters ranging from D 50 mm (DN 50) to D 125 mm (DN 125).

Simply state your preferred size when ordering.

Package units:

Supplied in cartons, PU 10 units



Technical data		
D	262	mm
T	77,5	

Gravel guard frame

Function:

The gravel guard frame reliably retains coarse dirt for gravel and other loads, preventing it from accumulating at the drain. Even with significant dirt accumulation, the gravel guard frame ensures the functionality of the drain.

Installation:

The gravel guard frame is placed centrally on the drainage point above the drain. The drain grate is then inserted into the opening and clamped into place. The gravel is then pushed against the gravel guard frame on all sides to fix it in position.

Material:

PVC Light grey, low-temperature impact resistant plastic, weatherproof

Delivery unit:

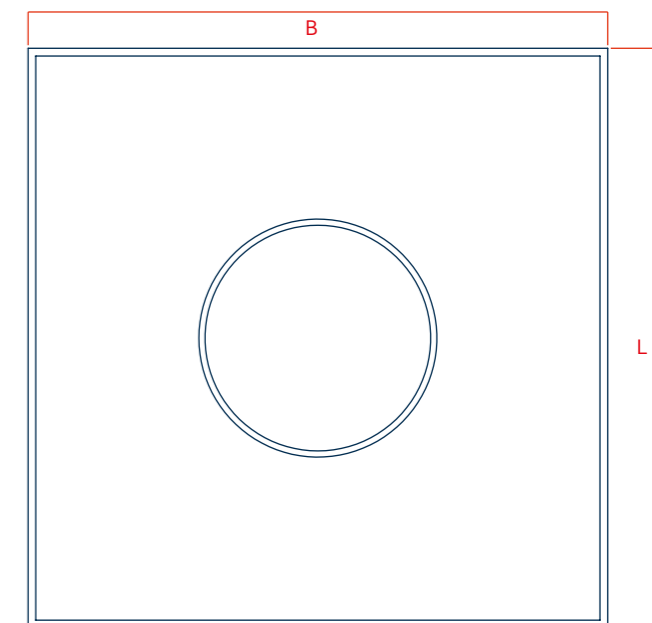
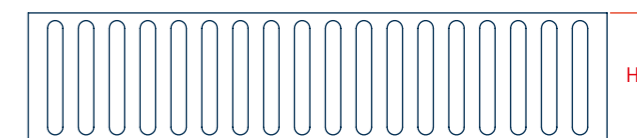
Gravel guard frame in welded design, ready to install, without drainage grating

Versions:

Universal size; different dimensions available on request

Package units:

Supplied in cartons, PU 1 unit



Technical data	
L	380 mm
B	380 mm
H	80 mm

Inspection chamber

Function:

The inspection chamber reliably retains coarse dirt on green roofs, preventing it from accumulating at the drain. Avoids larger dirt deposits while ensuring full drain functionality. The chamber cover can be removed for inspection purposes.

Installation:

The inspection chamber is placed centrally on the drainage point above the drain. The drain grate is then inserted into the opening and clamped into place. Following this, the chamber cover is placed on top. Gravel is then pushed against the inspection chamber on all sides to fix it into place and provide a filter layer in front of the green roof substrate. Do not fill the substrate directly against the inspection chamber.

Material:

PVC Light grey, low-temperature impact resistant plastic, weatherproof

Delivery unit:

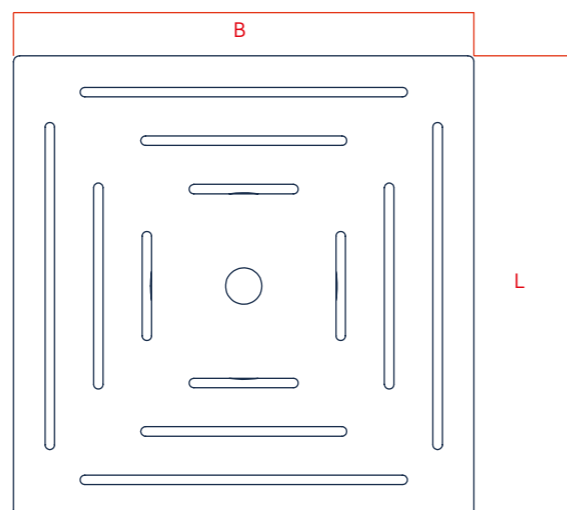
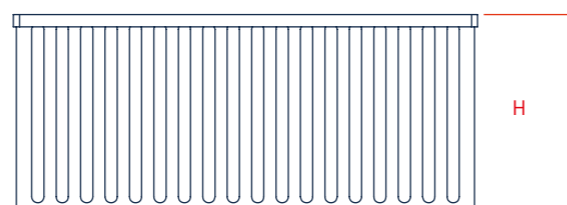
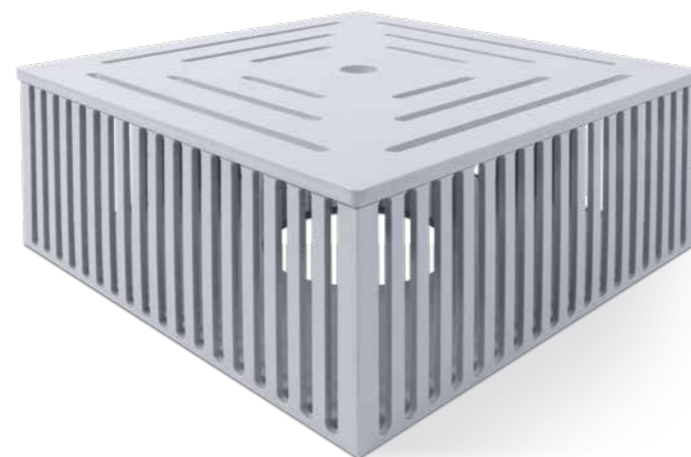
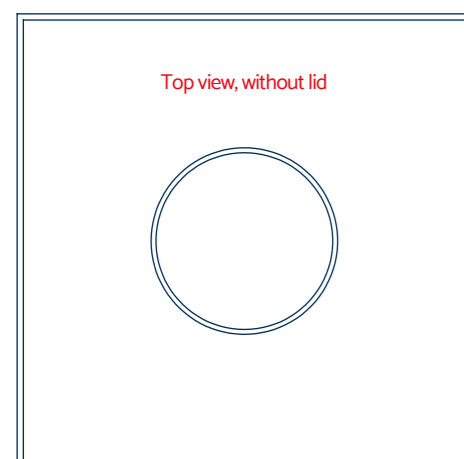
Inspection chamber; welded design with matching chamber cover, ready to install, without drain grate

Versions:

Universal size; different dimensions available on request

Package units:

Supplied in cartons, PU 1 unit



Technical data	
L	380 mm
B	380 mm
H	160 mm

Lip seal for pipe connections

Function:

When connecting gullies to flat roof drains, these leak-tested, backflow-proof and compliant seals for connecting two different pipe diameters are ideal for sealing purposes.

Material:

- EPDM, rubber black
- UV and ozone resistant
- strong resilience to chemicals, temperature and footsteps

Available sizes:

- D 50 mm (DN 50)
- D 75 mm (DN 70)
- D 95 mm small
- D 95 mm large
- D 110 mm (DN 100)
- D 125 mm (DN 125)
- D 160 mm (DN 150)

Package units:

Supplied in cartons / foil bags, PU 1 unit



Technical data			
Version lip seal	Size drains	External dimensions / height	Suitable for
D 50 mm (DN 50)	D 50 mm (DN 50)	73 x 29 mm	D 75 mm (DN 70)
D 75 mm (DN 70)	D 75 mm (DN 70)	109 x 38 mm	D 110 mm (DN 100)
D 95 mm small	D 95 mm	113 x 19 mm	D 110 mm (DN 100)
D 95 mm large	D 95 mm	146 x 30 mm	D 125 mm (DN 125)
D 110 mm (DN 100)	D 110 mm (DN 100)	126 x 35 mm	D 125 mm (DN 125)
D 125 mm (DN 125)	D 125 mm (DN 125)	172 x 32 mm	D 160 mm (DN 150)
D 160 mm (DN 150)	D 150 mm (DN 150)	207 x 33 mm	D 165 mm up to D 180 mm

Universal grommets

Function:

Serves for feeding pipes, cables and lines, e.g. solar-thermal, photovoltaic and lightning protection systems and fall arresters through the roof package.

Connection Method:

The free upper end needs to be sealed against the line that is fed through, e.g. with the heat-shrink tubing supplied, to prevent water ingress.

Material:

Our universal grommets are available in PVC, FPO/PP¹ and BIT² for connection to the matching material used for the roof membrane.

The materials are modified to be weather-resistant; UV-stabilised, against heat degradation and oxidative ageing as well as resistant to cold impact.

- PVC Light grey
- FPO/PP White, Beige gray, Gray, Anthracite gray
- BIT sanded

Available sizes:

PVC, FPO/PP¹, BIT with surrounding cutting markings and height information

- D 10 mm
- D 20 mm
- D 30 mm
- D 42 mm
- D 50 mm

BIT

- D 68 mm
- D 82 mm
- D 100 mm
- D 115 mm
- D 150 mm

Delivered with heat-shrink tube

Package units:

PVC, FPO/PP¹

- D 10 mm in carton, PU 40 units
- D 20 mm in carton, PU 35 units
- D 30 mm in carton, PU 30 units
- D 42 mm in carton, PU 25 units
- D 50 mm in carton, PU 20 units

BIT

- D 10 mm - D 50 mm in carton, PU 10/60 units
- D 68 mm - D 150 mm in carton, PU 5 units

Accessories:

- Heat-shrink tube
- W4 hose clamps



Technical data D 10 - D 50	
Height in mm	300
Inner diameter in mm	10
	20
	30
	42
Material thickness of moulded part in mm	3
	50
Connection sleeve in mm (only BIT)	D 430
Material thickness of bitumen sleeve in mm	4

Technical data D 68 - D 150	
Height in mm	320
Inner diameter in mm	68
	82
	100
	115
Material thickness of moulded part in mm	3.5
	150
Connection sleeve in mm (only BIT)	500 x 500
Material thickness of bitumen sleeve in mm	4

One-piece inspection fitting for flat roof systems

Function:

The inspection fitting facilitates regular, simple and safe inspection of flat roofs without requiring any destructive penetration into the roof envelope. This ensures leaks are quickly detected and helps to significantly minimise the amount of damage.

Installation:

The inspection fitting is positioned on the vapour barrier at the lowest point possible for each chosen section. As an option, the position can also be fixed to prevent shifting. Subsequent laying of the insulation and seal with connection of the seal to the pipe on the inspection fitting in a workmanlike manner.

Material:

- PVC similar to RAL 7035, Light grey
- FPO/PP similar to RAL 7044, Silk grey

Versions

- optionally also available in other pipe lengths¹, as well as
- with bitumen sleeve (on request)

Delivery unit:

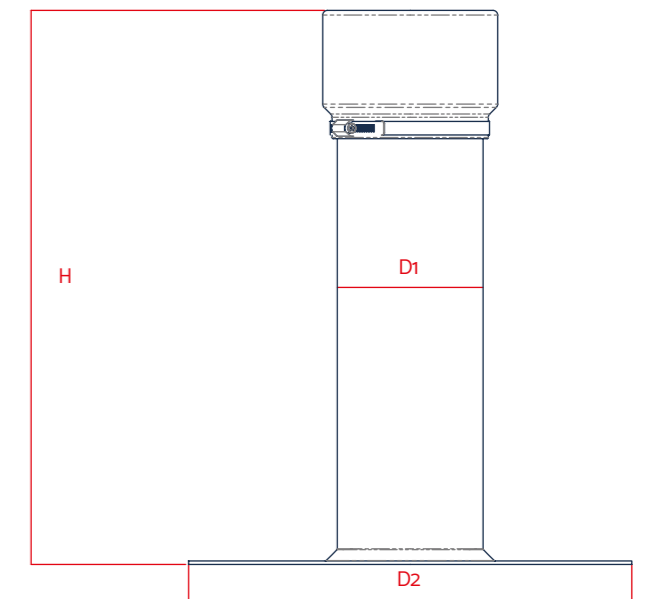
Inspection fitting, consisting of a main casing with a cap that can be pulled out in one piece, pre-mounted clamp and insulation core mounted in the cap (over the entire length of the fitting). Also available with bitumen connection sleeve on request.

Available sizes:

D 125 mm (DN 125)

Package units:

Supplied in foil bags, PU 1 unit



Technical data		
H	380	mm
D pipe D1	125	
D sheet D2	380	
The total height including the polystyrene core is 605 mm		

¹ Also available in PE (roofing membranes based on PE) / ² optionally also deliverable in slate variant / ³ Attention: The processing instructions of the roofing membrane manufacturer must be adhered to; Materials and used material compounds may be subject to change. KALA - KUNSTSTOFFE | Karl-Heinz Lange GmbH+Co.KG reserves the right to make technical changes.

¹ Special sizes available on request / ² Attention: The processing instructions of the roofing membrane manufacturer must be adhered to; Materials and used material compounds may be subject to change. KALA - KUNSTSTOFFE | Karl-Heinz Lange GmbH+Co.KG reserves the right to make technical changes.

Gooseneck/ cable conduit



Function:

For optimal and straightforward energy feedthrough for flat roofs such as pipes or cables.
Can be used as a Gooseneck/cable conduit for flat roof fans.

Material:

- FPO/PP Black
- Low-temperature impact resistant plastic, weatherproof

Available sizes:

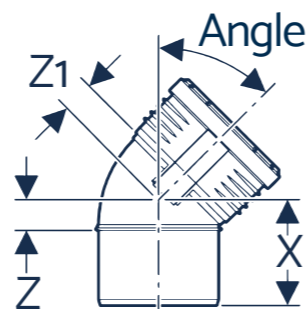
- D 75 mm (DN 70)
- D 125 mm (DN 125)
- D 110 mm (DN 100)
- D 160 mm (DN 150)

Package units:

Supplied in cartons, PU 10 units

Accessories:

EPDM end cap to secure the opening against vermin and for increased weather protection requirements (cut a suitable undersized hole in the base of the cover, the material is elastic and forms a seal against cables or pipes that have been fed through - see detailed illustration).



Technical data				
Diameter	Angle	X	Z	Z1
D 75 mm (DN 70)	45°	7,6 cm	2,0 cm	2,1 cm
D 110 mm (DN 100)	45°	9,7 cm	3,0 cm	2,9 cm
D 125 mm (DN 125)	45°	10,7 cm	3,3 cm	3,3 cm
D 160 mm (DN 150)	45°	12,2 cm	4,2 cm	4,0 cm

Vapour barrier sheet for round and rectangular scuppers and emergency overflows

Function:

Emergency overflows or spouts are difficult to feed through the parapet wall. The seal is usually inadequate.
The vapour barrier plate is fitted to the parapet wall and guarantees the vapour-tight passage of the pipe through the wall.

Material:

- Base: PVC
- Seal: EPDM

Available sizes:

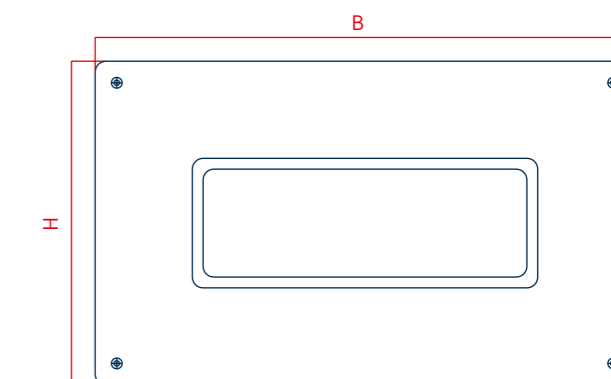
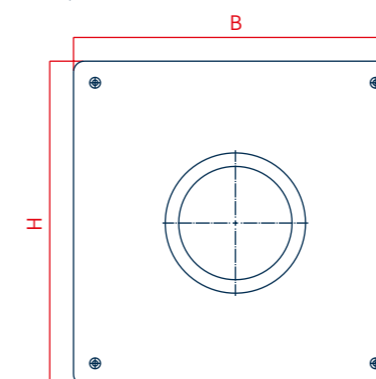
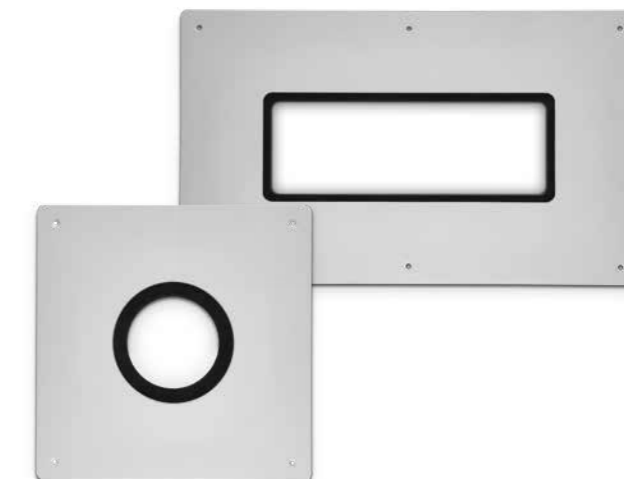
- round:**
- D 50 mm (DN 50)
 - D 95 mm
 - D 125 mm (DN 125)
 - D 75 mm (DN 70)
 - D 110 mm (DN 110)

rectangular:

- 120 x 60 mm
- 300 x 100 mm
- 750 x 100 mm
- 180 x 80 mm
- 500 x 100 mm
- 1000 x 100 mm
- 300 x 80 mm
- 600 x 100 mm

Package units:

Supplied in cartons, PU 1 unit



Technical data			
Version	Width B	Height H	mm
D 50 mm (DN 50)	300	300	
D 75 mm (DN 70)			
D 95 mm			
D 110 mm (DN 110)			
D 125 mm (DN 125)			

Technical data			
Version	Width B	Height H	mm
120 x 60	320	260	
180 x 80	380	280	
300 x 80	500	280	
300 x 100	500	300	
500 x 100	700	300	
600 x 100	800	300	
750 x 100	950	300	
1000 x 100	1200	300	

Internal and external corners for roof membranes

Function:

Moulded part for connections and terminations in corner formations, can be used on both sides (see illustration).

Versions:

PVC Light grey, FPO/PP in White, Gray, Beige gray and Anthracite gray for connection to the matching roofing membrane material type. The materials are modified to be weather-resistant; UV-stabilised, against heat degradation and oxidative ageing as well as resistant to cold impact

Connection Method:

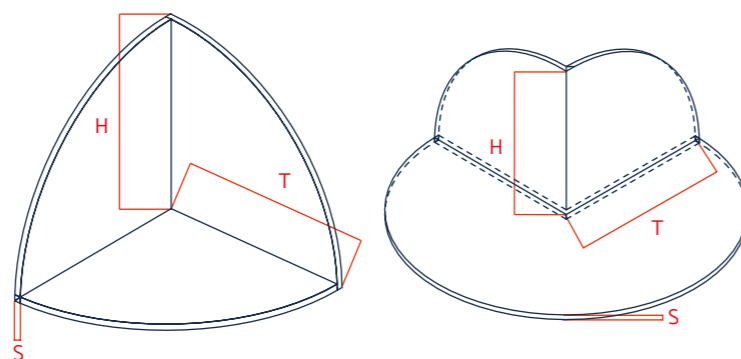
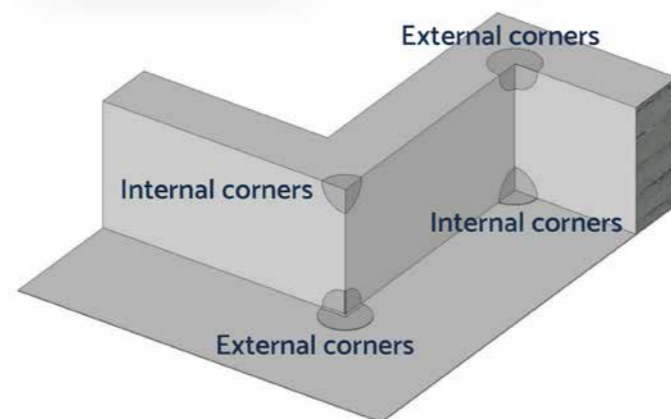
Welding, for direct connection to the roof membrane

Material :

- PVC Light grey
- FPO/PP White, Beige gray, Gray, Anthracite gray

Package units:

Supplied in cartons, PU 25 units



Technical data			
	Interior corner	External corner	
H	95	102	mm
T	85	90	
S	2	2	

Heat-shrink tube

Function:

Heat-shrinkable tubes with adhesive coating on the interior for the reliable sealing of the edging/bushings/solar/PV systems/fall arrest systems/lightning protection/handrail supports/...

The shrink tubes can be shrunk directly using a hot air gun.

Technical information:

- Polyolefin-based heat-shrinkable tubing
- Inner adhesive coating
- 3:1 shrink ratio
- Longitudinal shrinkage < 10%
- Continuous service temperature: -55° C to 110° C
- Flammability: flame retardant VW-1 flame resistant
- Tensile strength: > 14 Mpa
- Elongation at break: 400%
- Volume resistance: 10¹³ ohms/cm
- Water absorption: < 0.5 %
- Fungus and rot resistance test passed
- UV weather resistance test passed
- Colour Black

Available sizes:

- 22/6
- 28/6
- 40/12
- 55/16
- 65/19
- 95/25
- 115/34
- 140/42
- 180/58

Package units:

Supplied in cartons / foil bags, PU 10 units



Technical data			
Size	Length in mm	Surround size	Wall thickness in mm after shrinkage
22/6	80	D 10	2,5
28/6	80	D 20	2,5
40/12	80	D 30	2,5
55/16	80	D 42	2,7
65/19	80	D 50	2,8
95/25	100	D 68 / 82 / 88	3,0
115/34	100	D 110	3,0
140/42	100	D 115	3,0
180/58	100	D 160	3,5

¹ Also available in PE (roofing membranes based on PE). KALA - KUNSTSTOFFE I Karl-Heinz Lange GmbH+Co.KG reserves the right to make technical changes.

¹ Special sizes and lengths available on request. KALA - KUNSTSTOFFE I Karl-Heinz Lange GmbH+Co.KG reserves the right to make technical changes.

Lightning protection wire holders

Function:

For the simple and secure attachment of lightning protection lines on flat roofs

Material:

- Polyamide Gray
- Low-temperature impact resistant plastic, weatherproof, UV-stabilized
- Application temperature is between +50 °C and -10 °C

Available sizes:

For lightning protection lines 8 - 10 mm

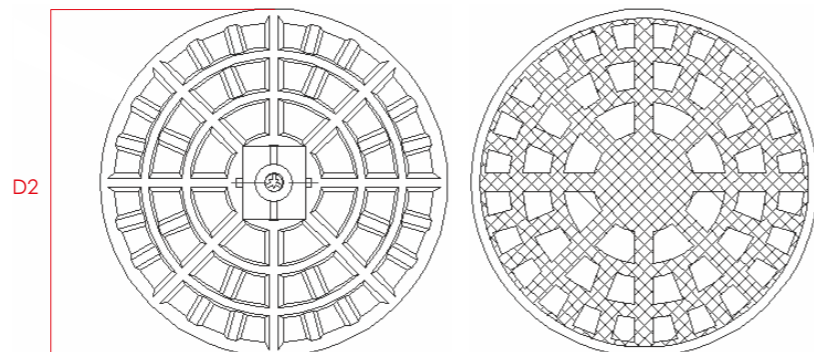
Package units:

Supplied in cartons, PU 50 units

Accessories:

Metal blank for attachment to the roof sheeting:

- PVC
- FPO/PP¹
- BIT



Technical data		mm
H	53	
D1	8 - 10	
D2	110	
t	3	

Drains Nexo Fix

Function:

Molding for vertical drainage through the roof package. Installation with connection to a pipe system for water drainage or as an extension element for a roof drain. Pay attention to appropriate backflow protection.

Installation:

Position the drains in the opening in the roof structure, if used as an extension element, connect them to the gully underneath, align them with the subsurface and fasten them securely at four points in the subsurface using the holes on the edge of the tray. Weld the connection sleeve to the waterproofing membrane all around professionally and in accordance with the roofing membrane manufacturer's specifications.

Material:

Versions PVC and FPO/PP with welded connection sleeve for easy connection to the appropriate roofing membrane. The material of the ground body is weatherproof modified: UV-stabilized, against heat degradation and oxidative aging as well as cold impact resistant.

Available sizes:

- D 50 mm (DN 50)
- D 75 mm (DN 70)
- D 90 mm
- D 95 mm
- D 110 mm (DN 100)
- D 125 mm (DN 125)
- D 160 mm (DN 150)

Package units:

Supplied in cartons, PU 1 unit

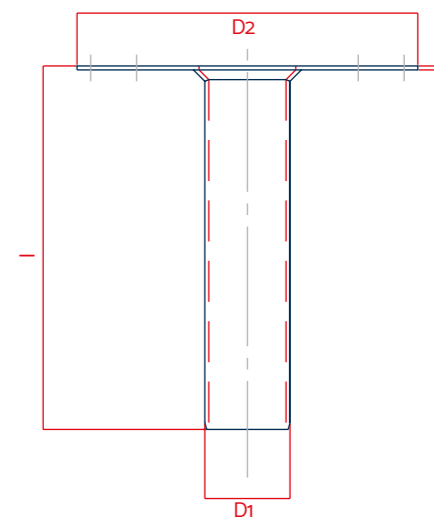
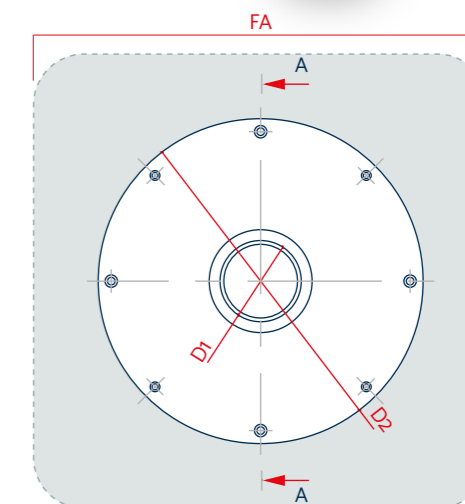
Accessories:

Gravel basket Vario Fix for drains, gravel basket Classic for drains, lip seal, Roll Ring³

Drainage performance litre/sec.:

LGA-certified characteristics

Diameter	Accumulation height	
	35 mm	65 mm
D 50 mm (DN 50)	3,70	N/A
D 75 mm (DN 70)	4,60	13,20
D 90 mm	5,30	14,60
D 110 mm (DN 100)	5,55	15,80
D 125 mm (DN 125)	5,55	16,00
D 160 mm (DN 150)	5,60	18,60



Technical data			mm
D1	50 / 75	90 / 95 / 110 / 125 / 160	
D2	300	380	
l	320 ¹	320 ¹	
t	3,5	3,5	
Foil connection (FA)	D 50 up to D 75	L 500 x B 500	
Foil connection (FA)	D 90 up to D 160	L 580 x B 580	

¹ Also available in PE (roofing membranes based on PE). KALA - KUNSTSTOFFE | Karl-Heinz Lange GmbH+Co.KG reserves the right to make technical changes.

² Special lengths available on request / ³ other diameter sizes available upon request / ³ Attention: We would like to point out that installation with a rolling ring does not conform to the standards. Backflow security is not guaranteed / ⁴ Attention: The processing instructions of the roofing membrane manufacturer must be adhered to; Materials and used material compounds may be subject to change. KALA - KUNSTSTOFFE | Karl-Heinz Lange GmbH+Co.KG reserves the right to make technical changes.

Scupper Nexo Fix, round

Function:

Molding for horizontal drainage through the parapet. Installation with connection to a pipe system for water drainage or free jet. When installing for emergency drainage, the exact installation point must be taken into account depending on the water height.

Installation²:

Push the scupper through the horizontal opening in the parapet, align it with the subsurface and securely attach it to four points in the subsurface using the holes on the edge of the tray. Weld the connection sleeve to the waterproofing membrane all around professionally and in accordance with the roofing membrane manufacturer's specifications.

Material:

Versions PVC and FPO/PP with welded connection sleeve for easy connection to the appropriate roofing membrane. The material of the ground body is weather-proof modified: UV-stabilized, against heat degradation and oxidative aging as well as cold impact resistant.

Available sizes:

- D 50 mm (DN 50)
- D 63 mm
- D 75 mm (DN 70)
- D 90 mm
- D 110 mm (DN 100)

Package units:

Supplied in cartons, PU 1 unit

Accessories:

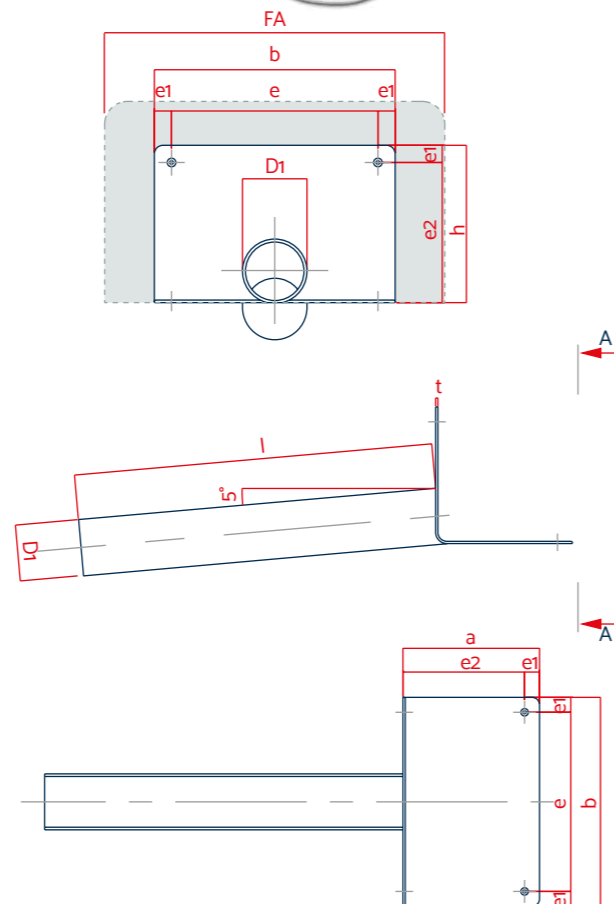
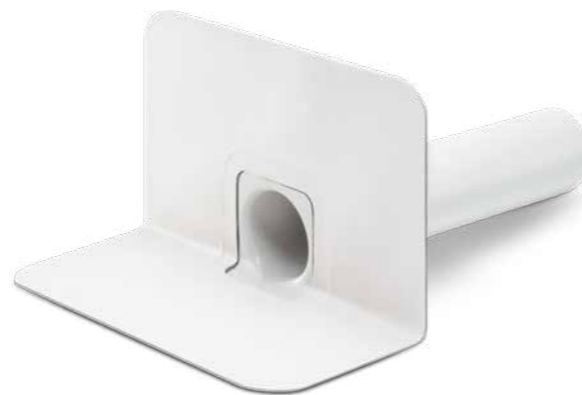
Gravel basket Classic for scupper, gravel basket Vario Fix for scupper, vapour barrier sheet for scupper and emergency overflow, round

Drainage performance litre/sec.:

LGA-certified characteristics

Diameter	Accumulation height	
	35 mm	65 mm
D 50 mm (DN 50)	0,51	1,31
D 75 mm (DN 70)	0,65	1,65
D 90 mm	0,65	1,90
D 110 mm (DN 100)	1,00	2,65
D 125 mm (DN 125)	1,00	2,80

¹Special lengths available on request / ²Attention: The processing instructions of the roofing membrane manufacturer must be adhered to; Materials and used material compounds may be subject to change. KALA - KUNSTSTOFFE | Karl-Heinz Lange GmbH+Co.KG reserves the right to make technical changes.



Technical data	
D1	50 / 63 / 75 / 90 / 110 / 125
l	480 ¹
a	112
b	280
h	186
e	240
e1	20
e2	117
t	3
Foil connection (FA)	L 494 x B 484
Pipe inclination 5°	

Scupper Nexo Fix, rectangular

Function:

Molding for horizontal drainage or emergency drainage through the parapet. When installing, the exact installation point must be taken into account depending on the water height.

Installation²:

Push the scupper through the horizontal opening in the parapet, align it with the subsurface and securely attach it to four points in the subsurface using the holes on the edge of the tray. Weld the connection sleeve to the waterproofing membrane all around professionally and in accordance with the roofing membrane manufacturer's specifications.

Material:

Versions PVC and FPO/PP with welded connection sleeve for easy connection to the appropriate roofing membrane. The material of the ground body is weather-proof modified: UV-stabilized, against heat degradation and oxidative aging as well as cold impact resistant.

Available sizes (W x H - Internal dimensions) ¹:

- 120 x 60 mm
- 300 x 100 mm
- 600 x 100 mm
- 300 x 80 mm
- 500 x 100 mm

Available length (l):

- 300 mm
- 600 mm

Colours:

Ground body:

- PVC similar to RAL 7047, Telegrey 4
- FPO/PP similar to RAL 7044, Silk grey

Roof membrane colors are determined by the respective manufacturer.

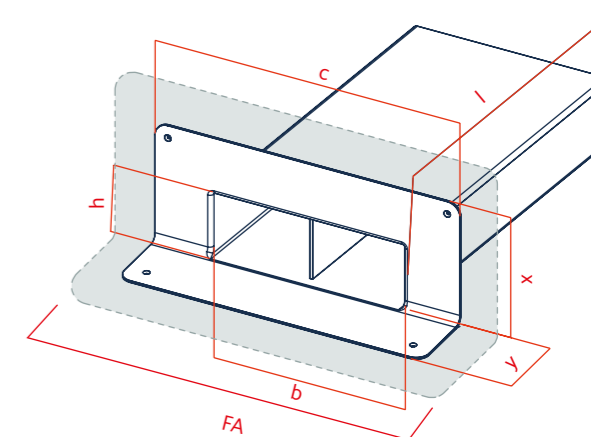
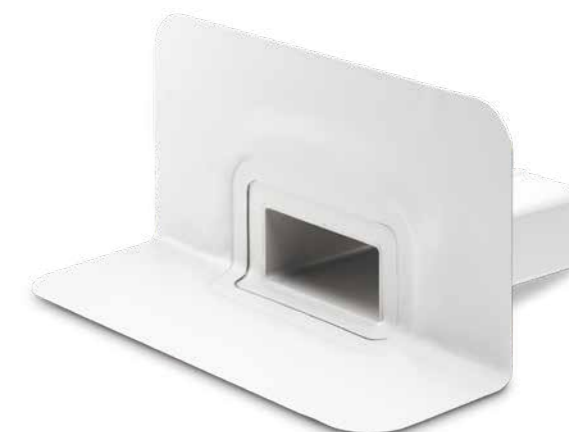
Package units:

Supplied in cartons, PU 1 unit

Accessories ²:

Vapour barrier sheet for scupper and emergency overflow, rectangular

¹Special sizes available on request / ²alternatively also available with a retaining ring in the desired height / ³ custom designs are non-returnable / ⁴Attention: The processing instructions of the roofing membrane manufacturer must be adhered to; Materials and used material compounds may be subject to change. KALA - KUNSTSTOFFE | Karl-Heinz Lange GmbH+Co.KG reserves the right to make technical changes.



Technical data ³						
Duct = W x H	b	h	c	x	y	
120 x 60	120	60	300	153	100	mm
180 x 80	180	80	360	173	100	
300 x 80	300	80	480	173	100	
300 x 100	300	100	480	193	100	
500 x 100	500	100	680	193	100	
600 x 100	600	100	780	193	100	

Pipe inclination 5° in each case

Foil connection (FA)						
Sizes (L x W) in mm	440 x 500	460 x 560	460 x 680	480 x 680	460 x 880	480 x 980
Sizes for	120 x 60 x 300/600	180 x 80 x 300/600	300 x 80 x 300/600	300 x 100 x 300/600	500 x 100 x 300/600	600 x 100 x 300/600

Drainage performance litre/sec.:

LGA-certified characteristics

Duct = W x H ^{1,3}	Accumulation height	
	35 mm	65 mm
120 x 60	1,30	3,50
180 x 80	1,90	5,00
300 x 80	3,00	7,80
300 x 100	3,00	7,80
500 x 100	5,50	13,40
600 x 100	7,20	N/A

Emergency overflow Nexo Fix, round

Function:

Molding for horizontal emergency drainage through the parapet. Installation with Connection to a pipe system for water drainage or free jet. At the installation, the exact installation point must be taken into account depending on the water height.

Installation:

Push the emergency overflow through the horizontal opening in the parapet, align it on the subsurface and securely secure it in position at four points in the subsurface using the holes on the edge of the tray. The connection sleeve with the Sealing membrane all around professionally and according to the manufacturer's specifications of the roofing membrane manufacturer.

Material:

Versions PVC and FPO/PP with welded connection sleeve for easy connection to the appropriate roofing membrane. The material of the ground body is weatherproof modified: UV-stabilized, against heat degradation and oxidative aging as well as cold impact resistant.

Available sizes:

- D 50 mm (DN 50)
- D 63 mm
- D 75 mm (DN 70)
- D 110 mm (DN 100)
- D 125 mm (DN 125)

Package units:

Supplied in cartons, PU 1 unit

Accessories:

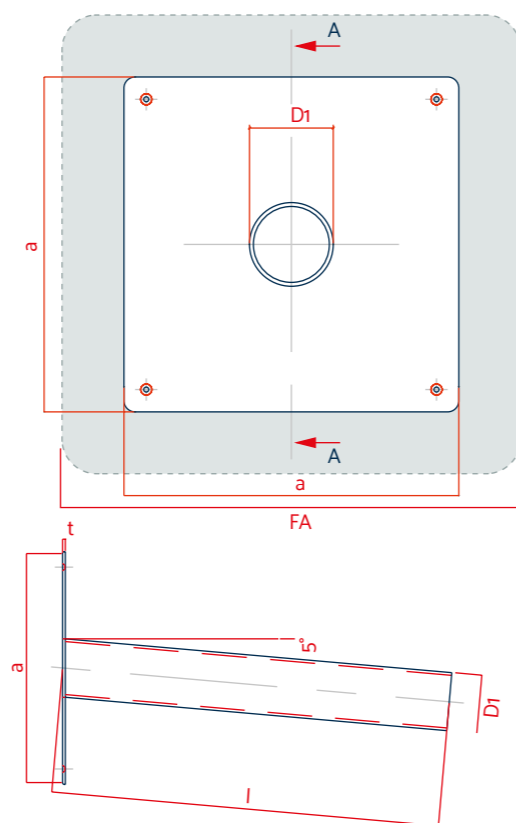
Vapour barrier sheet for scupper and emergency overflow, round

Drainage performance litre/sec.:

LGA-certified characteristics

Diameter	Accumulation height	
	35 mm	65 mm
D 50 mm (DN 50)	0,51	1,31
D 75 mm (DN 70)	0,65	1,65
D 110 mm (DN 100)	1,00	2,65
D 125 mm (DN 125)	1,00	2,80

¹Special lengths available on request / ²Attention: The processing instructions of the roofing membrane manufacturer must be adhered to; Materials and used material compounds may be subject to change. KALA - KUNSTSTOFFE | Karl-Heinz Lange GmbH+Co.KG reserves the right to make technical changes.



Technical data		mm
D1	50 / 63 / 75 / 110 / 125	
a	300	
l	490 ¹	
t	3,0	
Foil connection (FA)	L 500 x B 500	
Pipe inclination 5°		

Emergency overflow Nexo Fix, rectangular

Function:

Molding for horizontal drainage or emergency drainage through the parapet. When installing, the exact installation point must be taken into account depending on the water height.

Installation:

Push the emergency overflow through the horizontal opening in the parapet, align it on the subsurface and securely secure it in position at four points in the subsurface using the holes on the edge of the tray. The connection sleeve with the Sealing membrane all around professionally and in accordance with the roofing membrane manufacturer's specifications.

Material:

Versions PVC and FPO/PP with welded connection sleeve for easy connection to the appropriate roofing membrane. The material of the ground body is weatherproof modified: UV-stabilized, against heat degradation and oxidative aging as well as cold impact resistant.

Available sizes (W x H - Internal dimensions) :

- 120 x 60 mm
- 300 x 80 mm
- 300 x 100 mm
- 300 x 100 mm
- 500 x 100 mm
- 600 x 100 mm

Available length (l):

- 300 mm
- 600 mm

Colours:

Ground body:

- PVC similar to RAL 7047, Telegrey 4
 - FPO/PP similar to RAL 7044, Silk grey
- Roof membrane colors are determined by the respective manufacturer

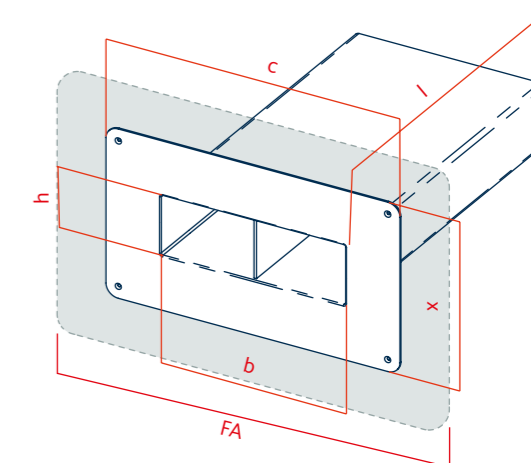
Package units:

Supplied in cartons, PU 1 unit

Accessories:

Vapour barrier sheet for scupper and emergency overflow, rectangular

¹Special sizes available on request / ² custom designs are non-returnable / ³Attention: The processing instructions of the roofing membrane manufacturer must be adhered to; Materials and used material compounds may be subject to change. KALA - KUNSTSTOFFE | Karl-Heinz Lange GmbH+Co.KG reserves the right to make technical changes.



Technical data ²					
Duct = W x H	b	h	c	x	mm
120 x 60	120	60	300	240	
180 x 80	180	80	360	260	
300 x 80	300	80	480	260	
300 x 100	300	100	480	280	
500 x 100	500	100	680	280	
600 x 100	600	100	780	280	

Pipe inclination 5° in each case

Foil connection (FA)						
Sizes (L x W) in mm	440 x 500	460 x 560	460 x 680	480 x 680	460 x 880	480 x 980
Sizes for	120 x 60 x 300/600	180 x 80 x 300/600	300 x 80 x 300/600	300 x 100 x 300/600	500 x 100 x 300/600	600 x 100 x 300/600

Drainage performance litre/sec.:

LGA-certified characteristics

Duct = W x H ²	Accumulation height	
	35 mm	65 mm
120 x 60	3,00	7,80
180 x 80	3,00	7,80
300 x 80	5,50	13,40
300 x 100	7,20	N/A
500 x 100	7,50	19,20
600 x 100	12,60	29,40

Flat roof fans Nexo Fix for ventilation lines with weather cap

Function:

The flat roof fans are used for ventilation:

- Ventilation of bathrooms and toilets without outside windows
- Dirty water ventilation
- Ventilation of extractor hoods in kitchens
- Controlled living space ventilation

Installation:

Align the fan on the ground and over the holes on the. Fasten the edge of the tray securely at four points in the subsurface. Professionally weld the connection sleeve to the sealing membrane all around and in accordance with the roofing membrane manufacturer's specifications.

Material:

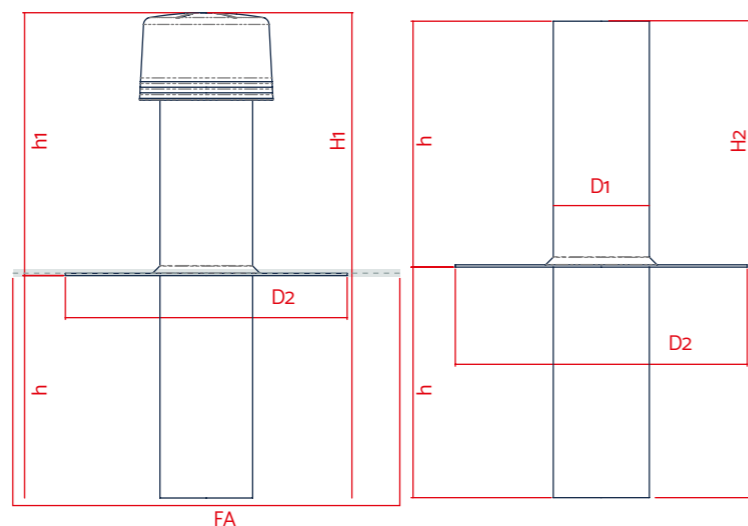
Versions PVC and FPO/PP with welded connection sleeve for easy connection to the appropriate roofing membrane. The material of the ground body is weatherproof modified: UV-stabilized, against heat degradation and oxidative aging as well as cold impact resistant.

Available sizes:

- D 75 mm (DN 70)
- D 125 mm (DN 125)
- D 110 mm (DN 100)
- D 160 mm (DN 150)

Package units:

Supplied in cartons, PU 1 unit



Technical data		
H1 with cap	654 mm	
H2 without cap	620 mm	
D1	DN 70 / DN 100 / DN 125 / DN 150	
D sheet D2	For size DN 70 = 300 mm For all others = 380 mm	
h1 with cap	334 mm	
h2 without cap	300 mm	
h	320 mm	
Foil connection (FA)	D 75	L 500 x B 500 mm
Foil connection (FA)	D 110 up to D 160	L 580 x B 580 mm

Flat roof fans Nexo Fix for cold roofs with weather cap

Function:

- Ventilation of roof structures
- In the case of a damp roof package for moisture removal and drying out

Installation:

Align the fan on the ground and over the holes on the. Fasten the edge of the tray securely at four points in the subsurface. Professionally weld the connection sleeve to the sealing membrane all around and in accordance with the roofing membrane manufacturer's specifications.

Material:

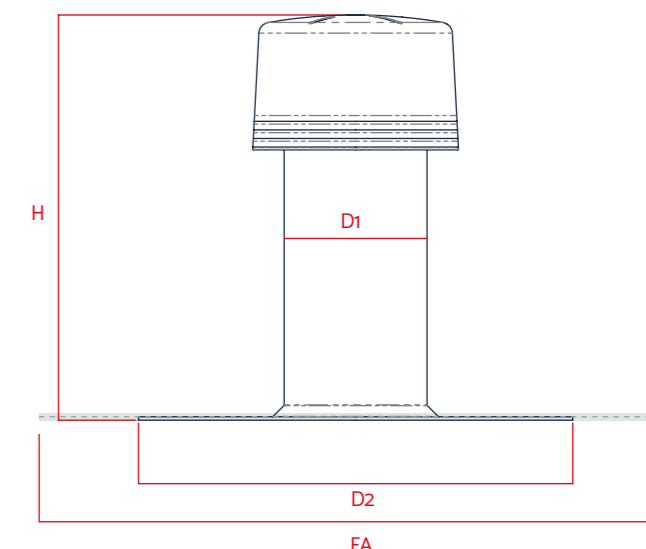
Versions PVC and FPO/PP with welded connection sleeve for easy connection to the appropriate roofing membrane. The material of the ground body is weatherproof modified: UV-stabilized, against heat degradation and oxidative aging as well as cold impact resistant.

Available sizes:

- D 75 mm (DN 70)
- D 125 mm (DN 125)
- D 110 mm (DN 100)
- D 160 mm (DN 150)

Package units:

Supplied in cartons, PU 1 unit



Technical data		
H	354 mm ¹	
D1	D 75 mm (DN 70) / D 110 mm (DN 100) / D 125 mm (DN 125) / D 160 mm (DN 150)	
D2	D 75 mm = 300 mm D 110 up to D 160 mm = 380 mm	
Foil connection (FA)	D 75	L 500 x B 500 mm
Foil connection (FA)	D 110 up to D 160	L 580 x B 580 mm

¹Attention: The processing instructions of the roofing membrane manufacturer must be adhered to; Materials and used material compounds may be subject to change. KALA - KUNSTSTOFFE | Karl-Heinz Lange GmbH+Co.KG reserves the right to make technical changes.

¹Special lengths available on request / ²Attention: The processing instructions of the roofing membrane manufacturer must be adhered to; Materials and used material compounds may be subject to change. KALA - KUNSTSTOFFE | Karl-Heinz Lange GmbH+Co.KG reserves the right to make technical changes.

Flat roof refurbishment fans Nexo Fix with forced ventilation

Function:

- Moisture removal, forced ventilation of roof structures
- In the case of a damp roof package for moisture removal and drying out

This version has a maintenance-free suction fan that is blown by the wind is driven (achieves a very high air throughput) onto the ground body put on. The fan is resistant to driving rain and snow and is complete. Delivered ready to install and can be welded directly to the roofing membrane.

Installation²:

Align the fan on the ground and over the holes on the Fasten the edge of the tray securely at four points in the subsurface. Professionally weld the connection sleeve to the sealing membrane all around and in accordance with the roofing membrane manufacturer's specifications.

Material:

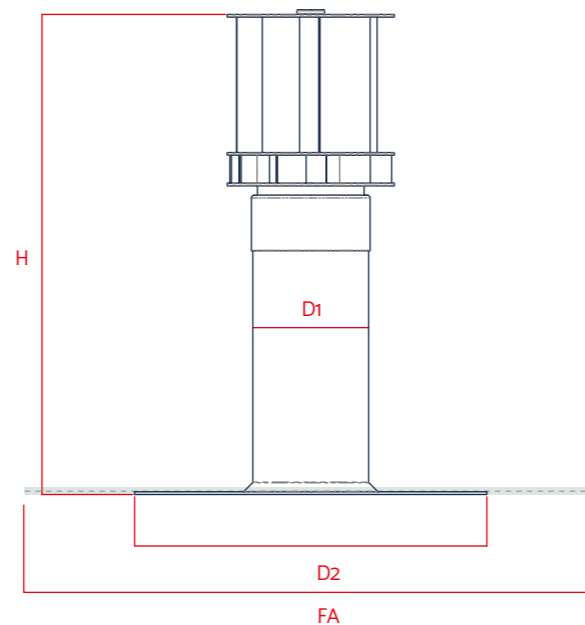
Versions PVC and FPO/PP with welded connection sleeve for easy connection to the appropriate roofing membrane. The material of the ground body is weatherproof modified: UV-stabilized, against heat degradation and oxidative aging as well as cold impact resistant.

Available sizes¹:

- D 125 mm (DN 125)
- D 160 mm (DN 150)

Package units:

Supplied in cartons, PU 1 unit



Technical data		
H	518 mm ¹	
D1	D 125 mm (DN 125) / D 160 mm (DN 150)	
D2	380 mm	
Foil connection (FA)	D 125 up to D 160	L 580 x B 580 mm

¹Special lengths available on request / ²Attention: The processing instructions of the roofing membrane manufacturer must be adhered to; Materials and used material compounds may be subject to change. KALA - KUNSTSTOFFE | Karl-Heinz Lange GmbH+Co.KG reserves the right to make technical changes.

One-piece inspection fitting Nexo Fix for flat roof systems

Function:

The inspection fitting is used for regular, simple and safe inspection of the flat roof without damaging openings. Leaks can therefore be discovered quickly and the extent of the damage can therefore be significantly reduced.

Installation²:

For each selected section, the inspection fitting is placed on the vapor barrier at the lowest point possible. Optionally, the position can be fixed to prevent displacement. Subsequently, laying the insulation and sealing with professional connection of the sealing to the pipe of the inspection fitting.

Material:

- PVC similar to RAL 7035, Light grey
- FPO/PP similar to RAL 7044, Silk grey

Versions

- optionally als available in other pipe lengths¹, as well as
- with bitumen sleeve (on request)

Delivery unit:

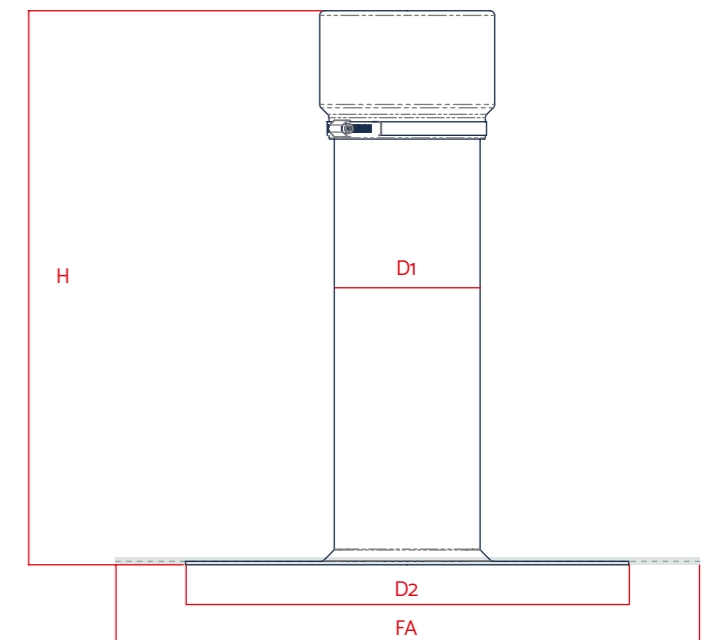
Inspection fitting, consisting of ground body in one piece removable cap, pre-assembled clamp and insulating core mounted in the cap.

Available sizes¹:

D 125 mm (DN 125)

Package units:

Supplied in foil bags, PU 1 unit



Technical data		
H	380	mm
D pipe D1	125	
D sheet D2	380	
Foil connection (FA)	D125	
The total height including the polystyrene core is 605 mm		

¹Special sizes available on request / ²Attention: The processing instructions of the roofing membrane manufacturer must be adhered to; Materials and used material compounds may be subject to change. KALA - KUNSTSTOFFE | Karl-Heinz Lange GmbH+Co.KG reserves the right to make technical changes.

Release list for roofing membranes

PVC	
Manufacturer	Product
Alwitra	Evalon
Bauder	Thermofol
BMI Wolfin	Cosmofin, Tectofin, Wolfin*
FDT	Rhenofol
Georg Börner	Logicroof V
Icopal	Monarplan PVC
Mapei	Mapeplan M, Mapeplan Plus
Protan AS	Protan PVC
Renolit	Alkorplan
Sika	Sikaplan
Soprema	Flagon SR, Flagon SV, Flagon S.150
Sucoflex	Sucoflex B, Sucoflex M

* Color deviation! Black roofing membrane, gray molding

Information valid for Europe, roofing membranes produced for European markets

FPO/PP	
Manufacturer	Product
Agro	Austroplan
Bauder	Thermofin, Thermoplan
BMI Icopal	Monarfin FPO
BMI Vedag	Vedafin
BMI Wolfin	EverGuard TPO
Carlisle C.M.	Sure-Weld TPO
Firestone	UltraPly
Mapei	Mapeplan T I
Sika	Sarnafil AT, Sarnafil T
Soprema	Flagon Premio, P. Stick; Flagon Eco, Eco F; Flagon EP-S 150
Sucoflex	Sucoflex TB, TM

Information valid for Europe, roofing membranes produced for European markets

KALA terrace support system

Function:

Terrace support for the installation of all surface types, particularly stone slabs and boardwalk finishes. The height adjustment and equalizing elements permit easy levelling of surfaces and slopes. In combination with the pressure disc, which is available as an accessory, the KALA support forms a sliding support system for direct installation on seals. Additional protective mats must be fitted in areas frequented by the public, such as entrances to public buildings, cafeterias, etc.

Versions:

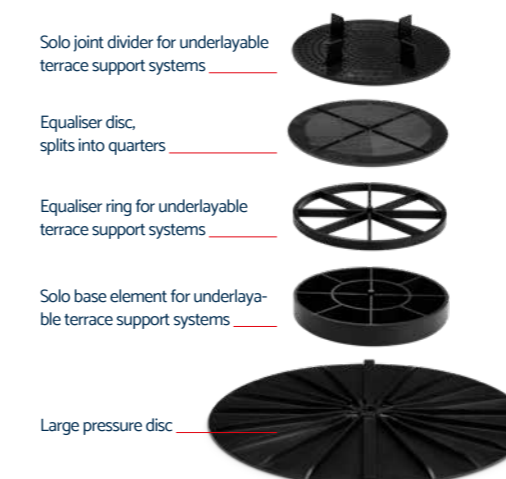
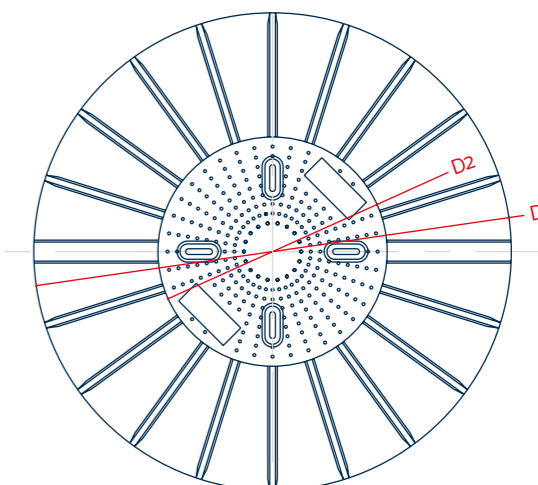
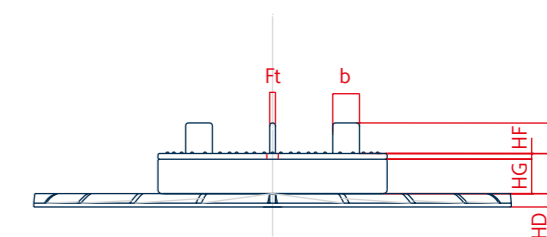
- Tile spacers for joint widths of 3 mm, alternatively 4 mm, different joint widths available as an option
- Detachable tile spacer for laying in bond or at the edge

Package units:

- Supplied in cartons, each containing 100 units
- Support system (joint divider and basic element) or joint divider solo, basic element solo

Accessories:

- ProSilent equaliser disc for terrace support systems, splits into quarters, D 112 mm
- Equaliser disc, splits into quarters, D 120 mm
- Equaliser ring for underlayable terrace support systems, D 120 mm
- Large pressure disc, D 250 mm
- Small pressure disc, D 200 mm



Technical data		
D1	250	mm
D2	120	
Ft	3, alternatively 4	
H	21	
HG	18	
HF	3	
HD	7	
h	16	
b	14	
Optional equalising elements: Equaliser disc, splits into quarters H=3 mm, Equaliser ring for underlayable terrace support systems H=6 mm		

KALA - KUNSTSTOFFE | Karl-Heinz Lange GmbH+Co.KG reserves the right to make technical changes.

Height-adjustable terrace support system

Function:

Terrace support for the installation of all surface types, particularly stone slabs and boardwalk finishes. The height adjustment and optional equalizing elements permit easy levelling of surfaces and slopes. In combination with the pressure disc, which is available as an accessory, the KALA support forms a sliding support system for direct installation on seals.

Additional protective mats must be fitted in areas frequented by the public, such as entrances to public buildings, cafeterias, etc.

Versions:

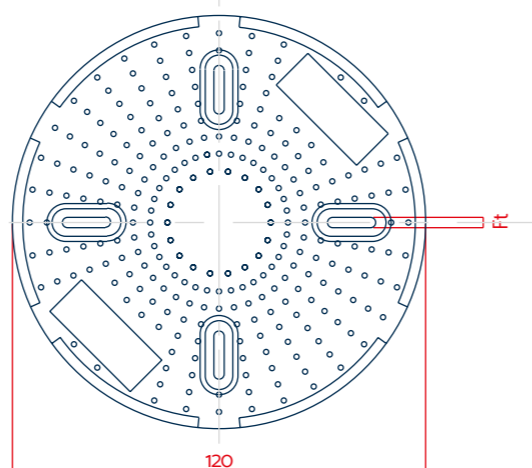
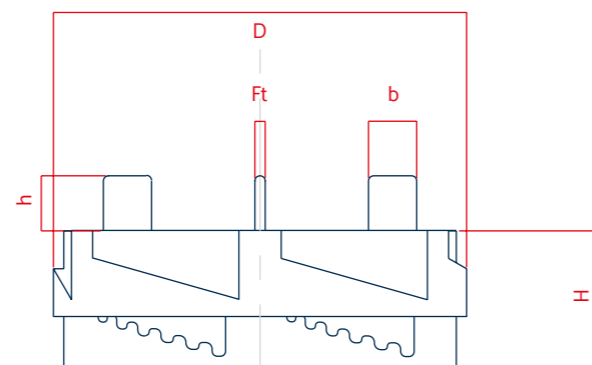
- Tile spacers for joint widths of 3 mm, alternatively 4 mm, different joint widths available as an option
- Detachable tile spacer for laying in bond or at the edge
- KALA Wood: Surface without joint dividers for underlaying wooden constructions

Package units:

Supplied in cartons, PU 50 units

Accessories:

- ProSilent equaliser disc for terrace support systems, splits into quarters, D 112 mm
- Large pressure disc, D 250 mm
- Small pressure disc, D 200 mm



Technical data		
H1	H2	mm
D	120	
Ft	3, alternatively 4	
H	28 - 42	
h	16	
b	14	
	14	

KALA - KUNSTSTOFFE | Karl-Heinz Lange GmbH+Co.KG reserves the right to make technical changes.

H-MAX terrace support system

Function:

Terrace support for the installation of all surface types, particularly stone slabs and boardwalk finishes. The height adjustment and optional equalizing elements permit easy levelling of surfaces and slopes. Additional protective mats must be fitted in areas frequented by the public, such as entrances to public buildings, cafeterias, etc.

Versions:

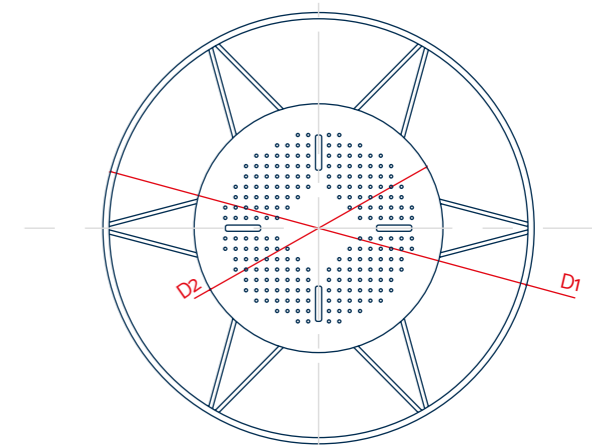
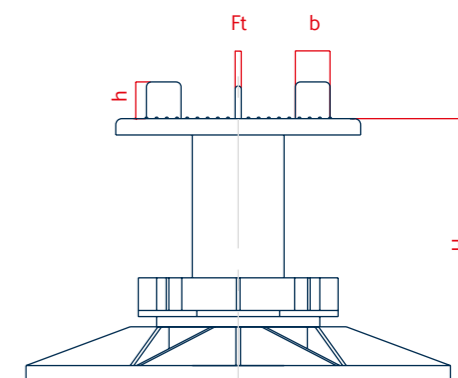
- 3 mm wide joint dividers
- With snap-off wings

Package units:

Supplied in cartons, PU 25 units

Accessories:

- ProSilent equaliser disc for terrace support systems, splits into quarters, D 112 mm



Technical data						
	65 - 100	95 - 130	125 - 160	155 - 190	185 - 220	mm
D1	208	208	208	208	208	
D2	120	120	120	120	120	
H	65 - 100	95 - 130	125 - 160	155 - 190	185 - 220	
h	18	18	18	18	18	
b	17	17	17	17	17	
Ft	3	3	3	3	3	

KALA - KUNSTSTOFFE | Karl-Heinz Lange GmbH+Co.KG reserves the right to make technical changes.

KALA terrace support system H-MAX MultiLevel

Function:

The H-MAX MultiLevel is our height-adjustable support system with an additional movable compensating head. It makes laying coverings of all kinds - whether wood, stone or ceramics - easy. The compensation head can also be moved by up to 5° to compensate for steep slopes and unevenness.

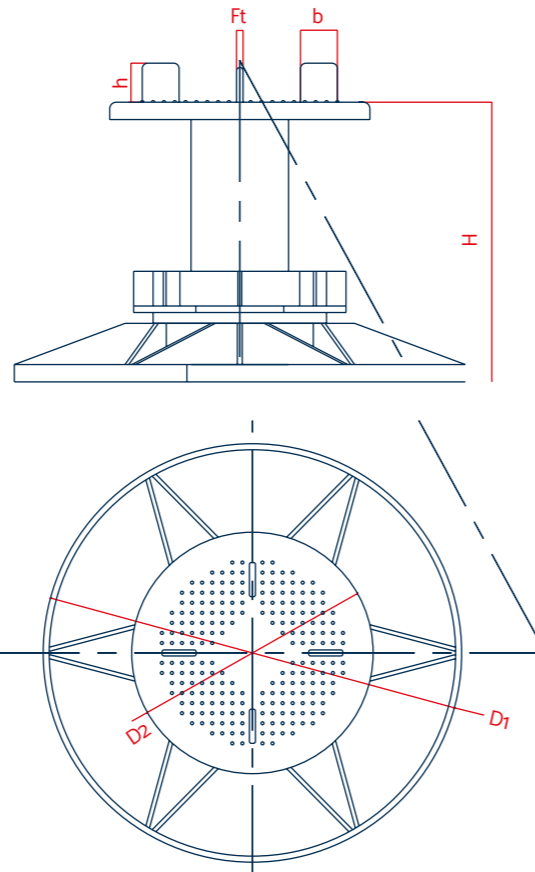
For direct installation on seals. Additional protective mats must be fitted in areas frequented by the public, such as entrances to public buildings, cafeterias, etc.

Versions:

- 3 mm wide joints
- Snap-off wings
- Integrated notch for trimming the base on the border
- Rubber support for sound insulation

Package units:

Supplied in cartons, PU 25 units



Technical data					
	62 - 82	77 - 112	107 - 142	137 - 227	
D1	200	200	200	200	mm
D2	120	120	120	120	
H	62 - 82	77 - 112	107 - 142	137 - 227	
h	10	10	10	10	
b	13	13	13	13	
Ft	3	3	3	3	



KALA - KUNSTSTOFFE | Karl-Heinz Lange GmbH+Co.KG reserves the right to make technical changes.

ProSilent equaliser disc for terrace support systems, splits into quarters

Function:

Made of extra-soft, long-term stabilised PVC, our ProSilent shim reduces impact noise and all other sounds caused by movement. The disc, which is only 1 mm thick, can be divided into quarters, which therefore means it can also be used for compensating for the finest height differences on a support system.

Material:

PVC

Version:

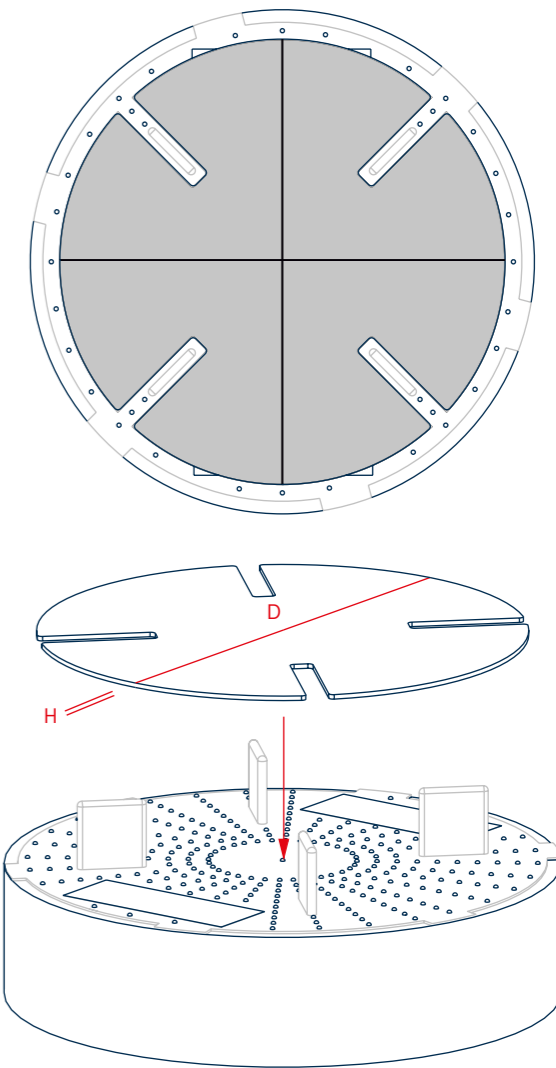
Colour Black

Package units:

Supplied in cartons / foil bags, PU 50 units

Accessories:

- Complete underlayable terrace support system
- Terrace support system H1
- Terrace support system H2
- H-MAX terrace support system



Technical data		
D	112	mm
H	1	

KALA - KUNSTSTOFFE | Karl-Heinz Lange GmbH+Co.KG reserves the right to make technical changes.

Cross spacers height: 18 mm

Function:

For laying slabs in a gravel/grit bed.

The tile spacers serve as spacers for forming permanent joints in accordance with the regulations.

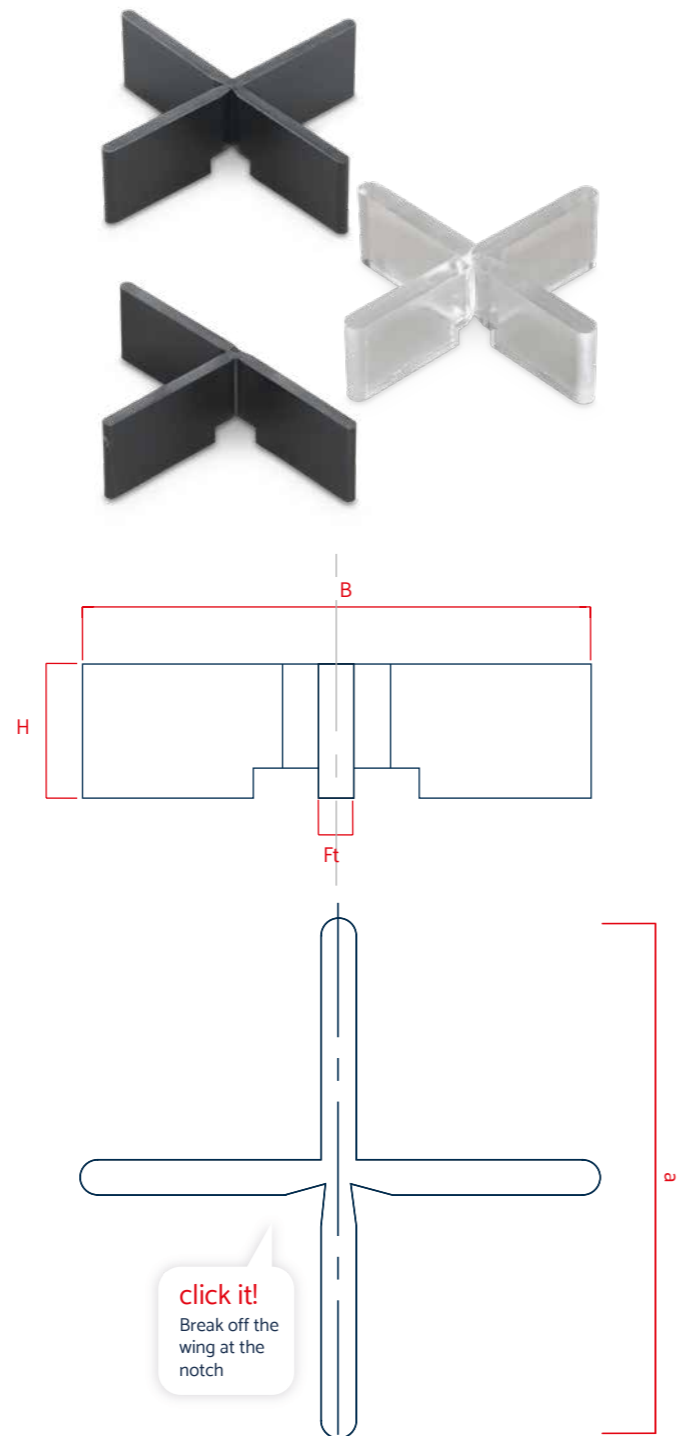
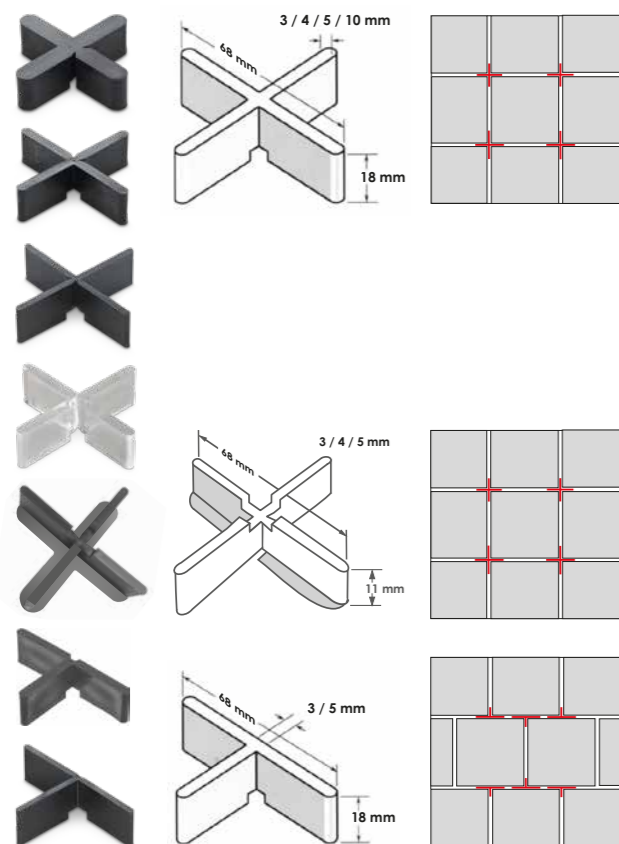
The three-armed tile spacers mean you can lay flooring cleanly in a bond or at the edge.

Versions:

- Joint widths 3, 4, 5 and 10 mm
- An arm can be easily broken off at the notch
- Tile spacer with three wings (T-cross) for 3 and 5 mm joint widths
- Default color black
- A transparent model is also available for ultra high-end patios
- Special colors available on request

Package units:

Supplied in cartons, PU 300 units



Technical data		
B	68	mm
H	18	
Ft	3 / 4 / 5 / 10	

KALA - KUNSTSTOFFE | Karl-Heinz Lange GmbH+Co.KG reserves the right to make technical changes.

Tile spacers height: 11 mm

Function:

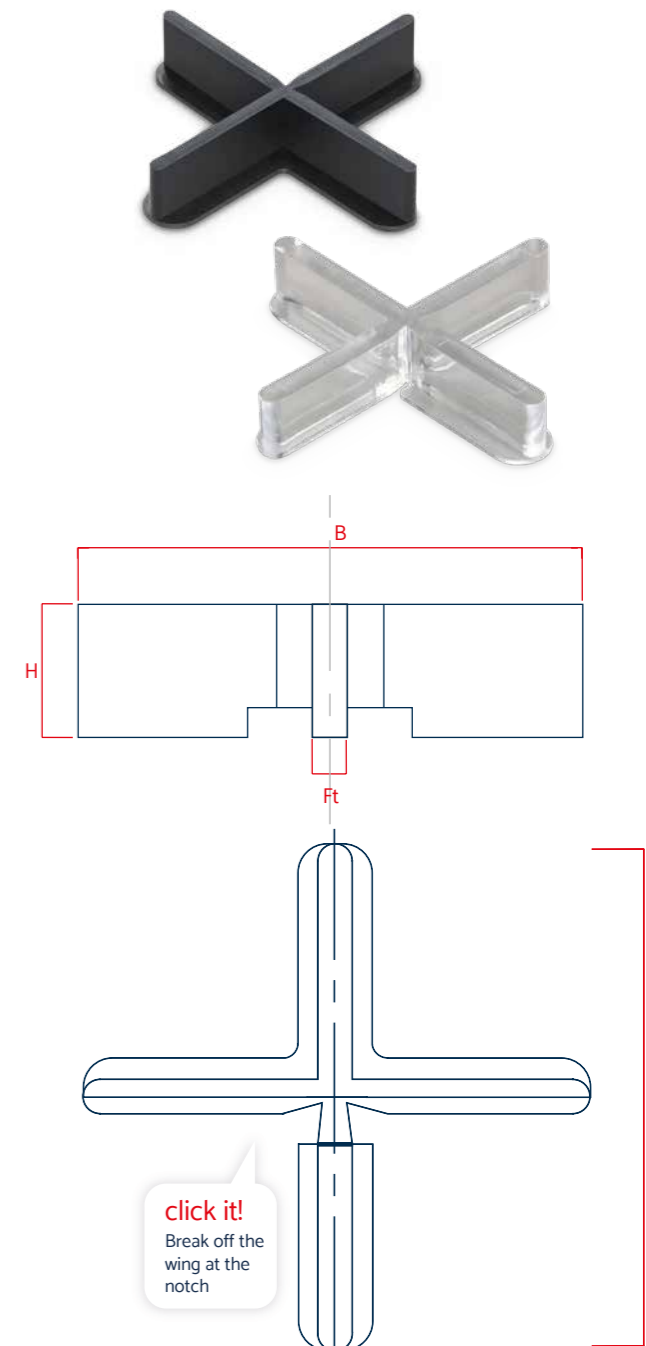
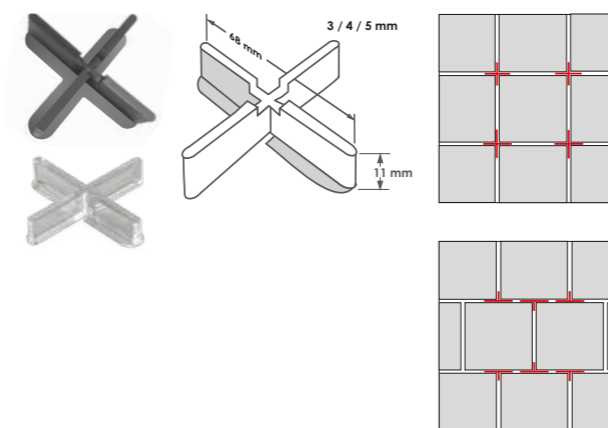
For laying ceramic tiles. The tile spacers serve as spacers for forming permanent joints in accordance with regulations.

Versions:

- Joint widths 3, 4 and 5 mm
- An arm can be easily broken off at the notch
- Universal tile spacer with support
- Default color black
- A transparent model is also available for ultra high-end patios
- Special colors available on request

Package units:

Supplied in cartons, PU 300 units



Technical data		
B	68	mm
H	11	
Ft	3 / 4 / 5	

KALA - KUNSTSTOFFE | Karl-Heinz Lange GmbH+Co.KG reserves the right to make technical changes.

The original red flexible tube 70/100 and 125

Function:

The flexible tube for all standard ventilation systems. The free end of the hose is pushed onto the lower end of the ventilator duct and fixed in place with the pre-assembled hose clamp. The connection sleeve is pushed into the underlying connection piece on the ventilation duct. Check that the lip seal inserted is properly seated in the connection piece during installation. Socket position when installed on an incline with a min. of 45°.

Versions:

- 70/100 flexible hose for connection to DN 70 or DN 100 ventilation lines
- 125 flexible hose for connection to DN 70 ventilation line
- Hose length: type 70/100 500 mm; type 125 600 mm

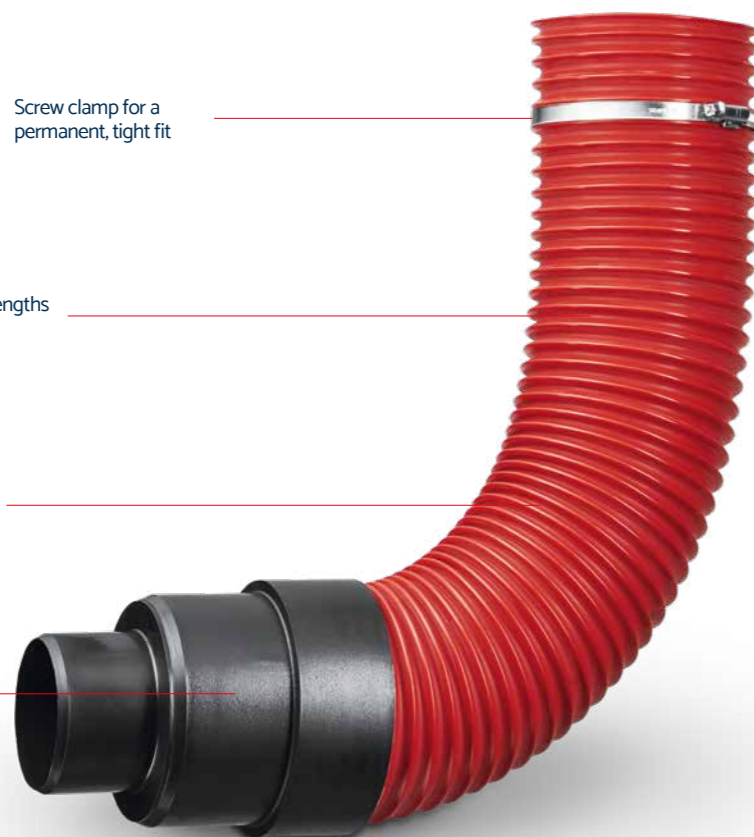


Screw clamp for a permanent, tight fit

Various lengths available

Highly flexible hose reinforced with a welded spring steel spiral

Secure duct for the easy disconnection of the type 70 connection



Ventilators for bitumen shingle roofs

Function:

Ventilator to ensure air exchange on the levels to be back-ventilated for shingle roofs. The element can also be installed as an outlet vent using the flexible outlet vent connection, which is available as an accessory. Thus ensuring that the roofscape remains uniform.

Connection Method:

A 270 x 150 mm opening is cut in the underlay. The lower shingles are brought up to the opening and fitted into place properly. Now align the fan evenly in the centre over the opening and fasten it in place through the holes in the rebate.

Important: Maintain a distance of approx. 30 mm between the shingles and the ventilation duct at the sides and the top to ensure that water drains off freely.

Technical data vent for shingle roofs:

- Bottom section: length 410 mm, width 325 mm
- Top section: length 300 mm, width 195 mm
- Overall height: 120 mm
- Deck flange widths: 90/100 mm
- Default colors: brown and black
- Special colours (hood): grey and red
- Other colours available on request
- Interchangeable hood

Package units:

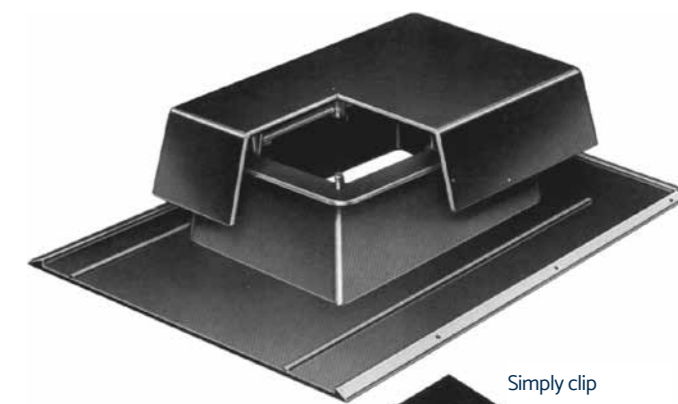
Supplied in cartons, PU 10 units

Accessories:

Outlet vent connection

Technical data Outlet vent connection:

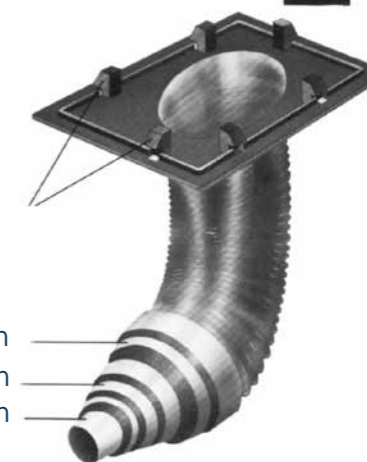
- Length 260 mm
- Width 140 mm
- Air cross-section, fan: 170 cm²
- Air cross-section, flexible hose: 80 cm²
- Flex hose Ø: 100 mm
- For 50/70/100 mm hose connection
- Colour black
- All flexible tubes are basically UV-resistant



Simply clip into place!

Clips

Ø 100 mm
Ø 70 mm
Ø 50 mm



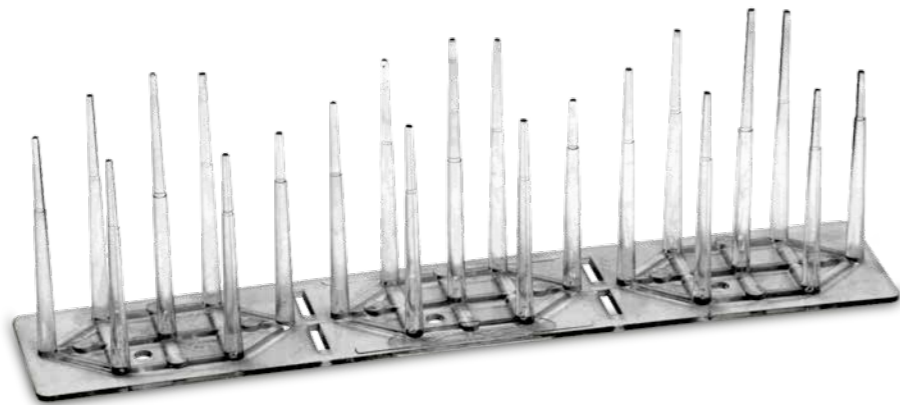
Outlet vent connection

¹ **Attention:** The processing instructions of the roofing membrane manufacturer must be adhered to; Materials and used material compounds may be subject to change. KALA - KUNSTSTOFFE | Karl-Heinz Lange GmbH+Co.KG reserves the right to make technical changes.

Bird deterrent “bird spikes”, transparent

Function:

Bird deterrent, esp. pigeon deterrent. The spiked elements hinder the birds in their search for resting and nesting places and thereby serve to reduce their annoying presence on buildings and the related fouling. The rounded tips ensure that the birds are not injured. The transparent material also fulfils the strictest aesthetic demands and achieves this without any major investment.



Connection Method:

Depending on the surface, the bird repellent is either glued on (e.g. with silicone) or bolted down.



Material:

- Polycarbonate, transparent

Dimensions:

- Length 250 mm
- Width 50 mm
- Height 85 mm

Package units:

Supplied in cartons, PU 50 units
(corresponding to 12.5 linear metres)

KALA – KUNSTSTOFFE | Karl-Heinz Lange GmbH+Co.KG reserves the right to make technical changes.

Flat roof + terrace –
That's how it's done.



Get in touch!

KALA - KUNSTSTOFFE | Karl-Heinz Lange GmbH+Co.KG
Am Römerhof 19
D-78727 Oberndorf

+49 7423 8687 600
info@kala.de





KALA - KUNSTSTOFFE
Karl-Heinz Lange GmbH+Co.KG

Am Römerhof 19
D-78727 Oberndorf
+49 7423 8687 600
info@kala.de
www.kala.de

Follow us:

 / [kalakunststoffe](#)
 / [kala_kunststoffe](#)