

# Scupper Nexo Fix, round

## Function:

Molding for horizontal drainage through the parapet. Installation with connection to a pipe system for water drainage or free jet. When installing for emergency drainage, the exact installation point must be taken into account depending on the water height.

## Installation:

Push the scupper through the horizontal opening in the parapet, align it with the subsurface and securely attach it to four points in the subsurface using the holes on the edge of the tray. Weld the connection sleeve to the waterproofing membrane all around professionally and in accordance with the roofing membrane manufacturer's specifications.

## Material:

Versions PVC and FPO/PP with welded connection sleeve for easy connection to the appropriate roofing membrane. The material of the ground body is weather-proof modified: UV-stabilized, against heat degradation and oxidative aging as well as cold impact resistant.

## Available sizes:

- D 50 mm (DN 50)
- D 63 mm
- D 75 mm (DN 70)
- D 90 mm
- D 110 mm (DN 100)

## Package units:

Supplied in cartons, PU 1 unit

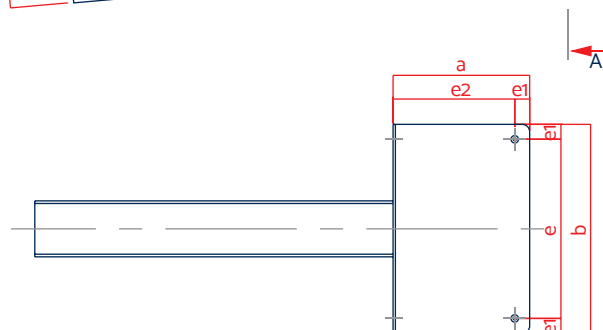
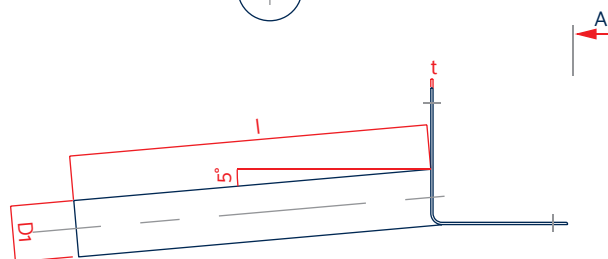
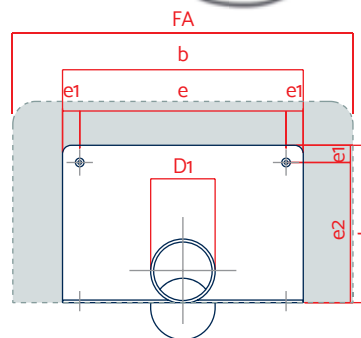
## Accessories:

Gravel basket Classic for scupper, gravel basket Vario Fix for scupper, vapour barrier sheet for scupper and emergency overflow, round

## Drainage performance litre/sec.:

LGA-certified characteristics

Diameter	Accumulation height	
	35 mm	65 mm
D 50 mm (DN 50)	0,51	1,31
D 75 mm (DN 70)	0,65	1,65
D 90 mm	0,65	1,90
D 110 mm (DN 100)	1,00	2,65
D 125 mm (DN 125)	1,00	2,80



Technical data		mm
D1	50 / 63 / 75 / 90 / 110 / 125	
l	480 <sup>1</sup>	
a	112	
b	280	
h	186	
e	240	
e1	20	
e2	117	
t	3	
Foil connection (FA)	L 494 x B 484	
Pipe inclination 5°		

<sup>1</sup>Special lengths available on request / <sup>2</sup>**Attention:** The processing instructions of the roofing membrane manufacturer must be adhered to; Materials and used material compounds may be subject to change. KALA - KUNSTSTOFFE | Karl-Heinz Lange GmbH+Co.KG reserves the right to make technical changes.